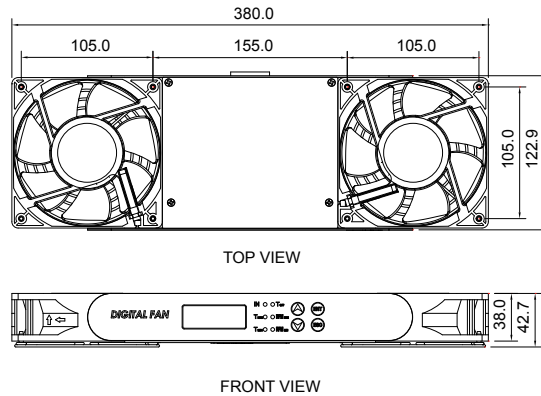


New



FTA 380 x 123 x 43 MM SERIES

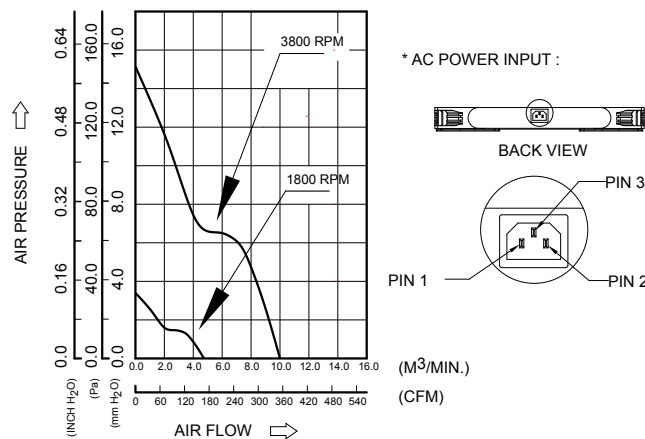
DIMENSIONS DRAWING



UNIT: $\frac{\text{mm}}{\text{(INCH)}}$

- * Bearing Type
Ball Bearings
- * FAN Material
Impeller & Frame : Plastic (UL 94V-0)
- * FAN TRAY CASE Material : SPCC
- * Weight : 1500g (53.95 oz)
- * Horizontal Mount For Bottom Up Cooling
- * Real-Time Temperature Display
- * FAN Fault & Over Temperature Alarm
- * Air Flow Redundancy
- * Temperature / Fan Speed Setting

P & Q CURVE (AT RATED VOLTAGE)



MODEL	Rated Voltage	Operating Voltage Range	Rated Current	Rated Input Power	Speed	Maximum Air Flow		Maximum Air Pressure		Noise
						m ³ /min	CFM	mmH ₂ O	IN H ₂ O	
PART NO.	AC	AC	Amp	Watt	R.P.M.					
FTA0102AA	110 or 220	100 to 240	0.65	65.00	1800/3800	9.84	335.00	14.20	0.56	63.0

- * Function type is optional.
- * The max. air flow and the speed are measured in free air ; max. air pressure is measured at zero air flow.
- * Noise is measured in anechoic chamber in free air, one meter from intake side.
- * All readings are typical values at rated voltage.
- * Specifications are subject to change without notice.