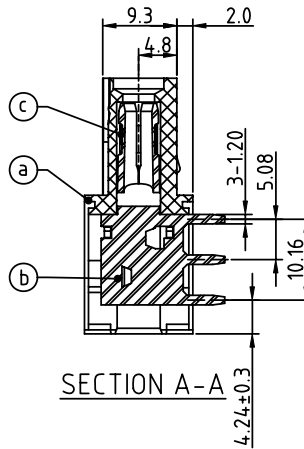
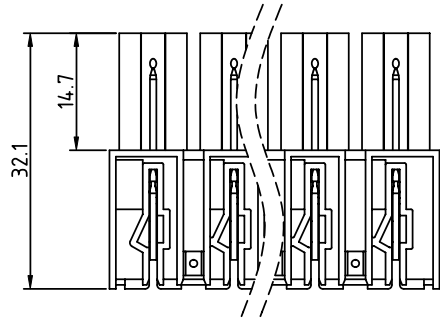
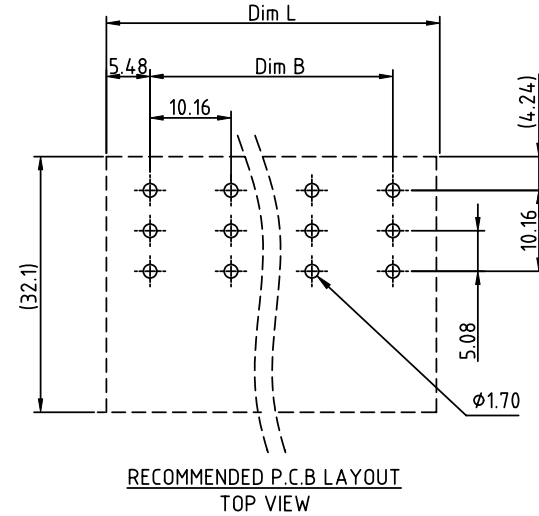
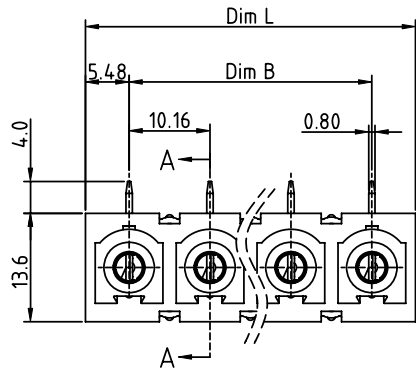


PRODUCT NUMBER	PITCH
KLxx61x200JOG	10.16 mm



Material:

- Item (a) Terminal(housing): Thermoplastic(UL94-V0)
- Item (b) Pin: Copper Tin plated
- Item (c) Wire guard: Stainless Steel

Electrical: cULus/IEC

- Voltage rating: 300V/1000V
- Current rating: 55A/76A
- Withstanding Voltage: 1.6 KV / 8 KV
- Operating temperature: -40°C to +115°C
- Soldering temperature: 260°C±5°C/5 Sec
- Safety Approval:

DIMENSION

Dim L	$N \times 10.16 + 0.8$
Dim B	$(N-1) \times 10.16$

N=Number of poles

Poles	Tolerance
2p-6p	±0.25
7p-12p	±0.35

PART NO.: KL xx 61 x 2 00J0 G

Solid block	0	Black (RAL9005)	RoHS compliant (lead<4%) In copper Alloy
No. of poles	2	Red (RAL3001/D)	
02 2poles	3	Orange(RAL2011/P)	
03 3poles	4	Yellow(RAL1018/A)	
...	5	Green(RAL6018/T)	
12 12poles	6	Blue (RAL5015/A)	
	8	Grey(RAL7035/D)	
	9	White(RAL1102)	
	C	Green(RAL6018/U)	

mat'l. code		surface ASME Y14.5	tolerance ASME Y14.5	projection	product family TERMINAL BLOCK
ltr	ecn no	dr	date		title
				tolerances unless otherwise specified	TERMINAL BLOCK PLUGGABLE PCB PLUG, RIGHT ANGLE MOUNTING ONTO THE PCB
				angles $X \pm 1^\circ$	scale
				$X.X \pm 0.3$	MM
				$X.XX \pm 0.1$	sheet 1 of 1
		dr	EVIN ZHONG	050314	size
		enr	EVIN ZHONG	050314	A4
		chr	HANKE FENG	050314	
		appd	SHI JUN	050314	
sheet index	revision	A			type CUSTOMER Drawing
	sheet	1			