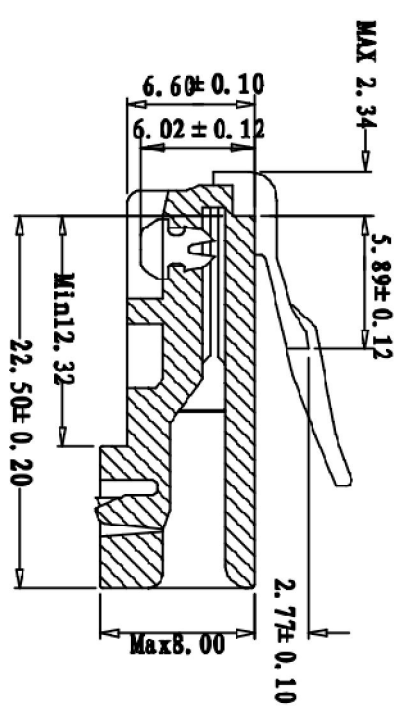


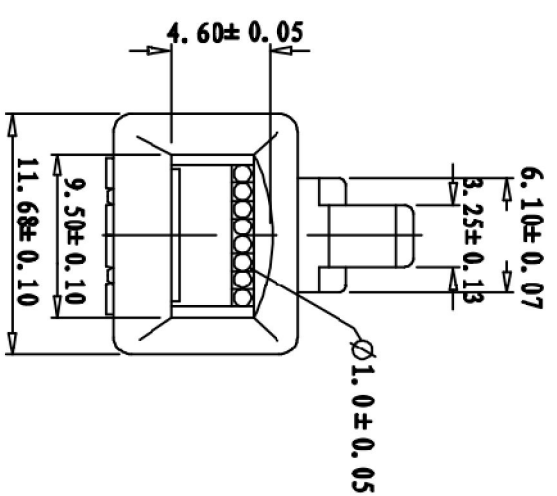
MP8P8C R



SPECIFICATIONS

HOUSING	POLY CARBONATE (PC) UL94V2
CONTACT BLADE	HIGH STRENGTH COPPER ALLOY
MATERIAL	100 MICRON NICKEL UNDERPLATED
PLATING TYPE	8% PHOSPHOR BRONZE
PLATING THICKNESS:	GOLD PLATED 60 ^u
OPERATING TEMP	-40° C TO 125° C
CURRENT RATING	250V AC MAX AT 2A
DIELECTRIC	500V AC
INSULATION RES	500MEGAOHMS

COMPLIES WITH FCC68/F



1	2	3	4	5	6	7																																																																		
A	B	C	D	E	F	A																																																																		
<p>ROHS compliant</p> <p>Unit: mm</p>																																																																								
H	<table border="1"> <tr> <th>Scale</th> <th>Free</th> <th></th> <th></th> <th></th> <th></th> <th></th> </tr> <tr> <td colspan="2">TOLERANCE</td> <td></td> <td></td> <td></td> <td></td> <td></td> </tr> <tr> <td>X.</td> <td></td> <td></td> <td></td> <td></td> <td></td> <td></td> </tr> <tr> <td>X.X</td> <td></td> <td></td> <td></td> <td></td> <td></td> <td></td> </tr> <tr> <td>X.XX</td> <td></td> <td></td> <td></td> <td></td> <td></td> <td></td> </tr> <tr> <td>DIM</td> <td>TOL</td> <td></td> <td></td> <td></td> <td></td> <td></td> </tr> <tr> <td>X.°</td> <td>±3°</td> <td></td> <td></td> <td></td> <td></td> <td></td> </tr> <tr> <td>X.X°</td> <td>±1.0°</td> <td>① Drawn</td> <td></td> <td>04.06.2014</td> <td>Joanna</td> <td></td> </tr> <tr> <td>Angle</td> <td>TOL</td> <td>Id.</td> <td>Modification</td> <td>Date</td> <td>Name</td> <td></td> </tr> </table>		Scale	Free						TOLERANCE							X.							X.X							X.XX							DIM	TOL						X.°	±3°						X.X°	±1.0°	① Drawn		04.06.2014	Joanna		Angle	TOL	Id.	Modification	Date	Name		1	2	3	4	5	6	7
Scale	Free																																																																							
TOLERANCE																																																																								
X.																																																																								
X.X																																																																								
X.XX																																																																								
DIM	TOL																																																																							
X.°	±3°																																																																							
X.X°	±1.0°	① Drawn		04.06.2014	Joanna																																																																			
Angle	TOL	Id.	Modification	Date	Name																																																																			
<table border="1"> <tr> <td>Customer-No.</td> <td></td> <td>Date</td> <td>04.06.2014</td> <td>Name</td> <td>Joanna</td> </tr> <tr> <td>ASSMANN WSW-No.</td> <td></td> <td>Approved</td> <td>04.06.2014</td> <td>Name</td> <td>Joanna</td> </tr> </table>							Customer-No.		Date	04.06.2014	Name	Joanna	ASSMANN WSW-No.		Approved	04.06.2014	Name	Joanna																																																						
Customer-No.		Date	04.06.2014	Name	Joanna																																																																			
ASSMANN WSW-No.		Approved	04.06.2014	Name	Joanna																																																																			
<table border="1"> <tr> <td>Drawing-No.</td> <td colspan="2">ASSMANN WSW-No.</td> <td colspan="4">A-MO 8/8-SR</td> </tr> <tr> <td>ASS 6402 CO</td> <td colspan="2">Replace</td> <td colspan="4">rev00</td> </tr> <tr> <td>Sheet</td> <td colspan="6"></td> </tr> </table>							Drawing-No.	ASSMANN WSW-No.		A-MO 8/8-SR				ASS 6402 CO	Replace		rev00				Sheet																																																			
Drawing-No.	ASSMANN WSW-No.		A-MO 8/8-SR																																																																					
ASS 6402 CO	Replace		rev00																																																																					
Sheet																																																																								