

DETAILS

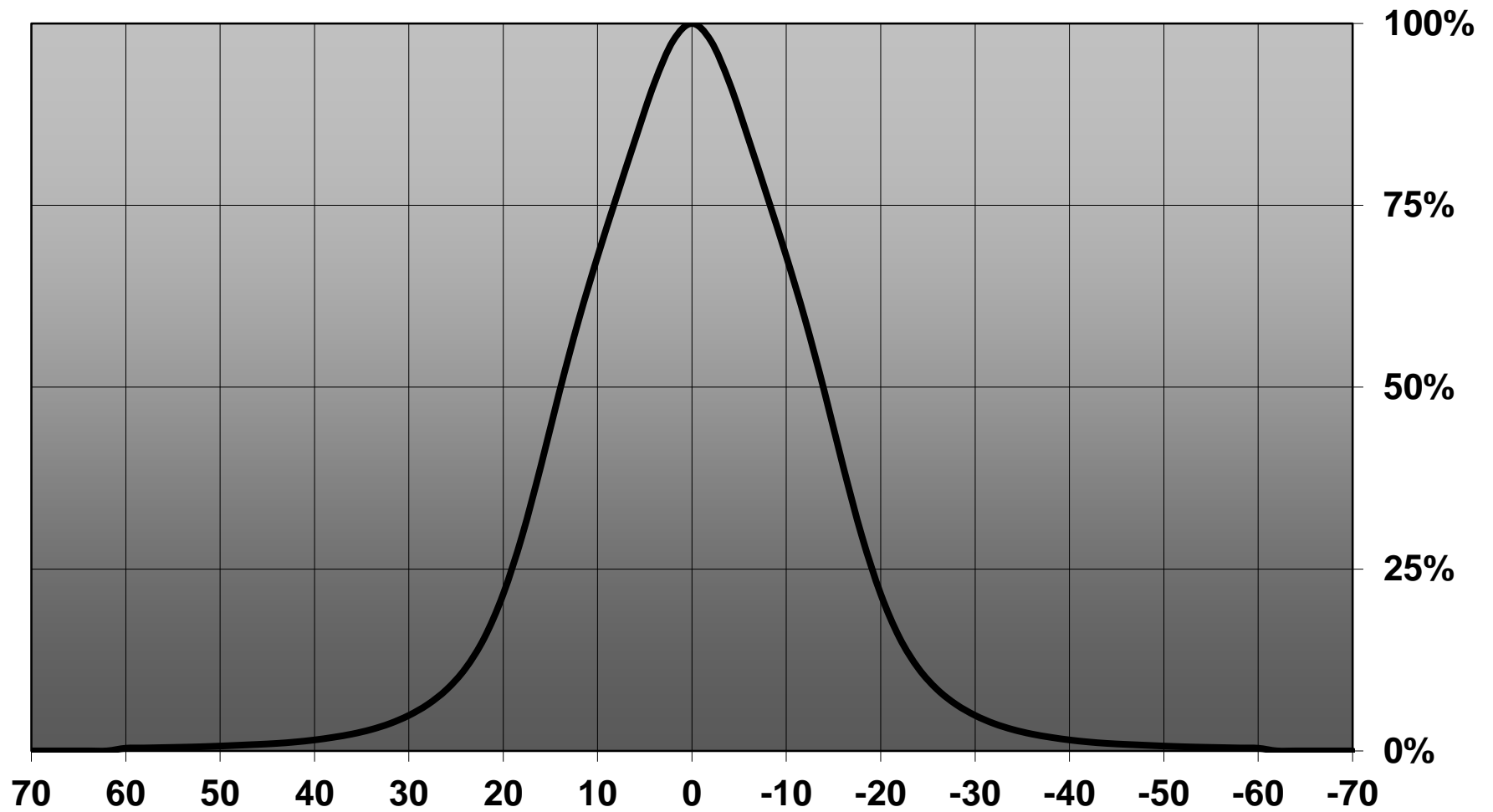
Product Number	FCN12774_IRIS-M
Family	Iris
Type	Pack
Color	black
Diameter	38 mm
Height	28,8 mm
Style	round
Optic Material	PMMA,PMMA
Holder Material	
Fastening	glue, pin, screw
Status	production ready
ROHS Compliant	Yes
Date Updated	3/11/2016

OPTICAL PROPERTIES

LED	Viewing	Light	Effi-		Connector
	Angle	Beam	ciency	cd/lm	
XM-L	28 deg	Medium	84 %	1.400	-
XM-L2	29 deg	Medium	80 %	2.900	-
XHP50	28 deg	Medium	84 %	2.800	-
XHP35 HD	sim: 15	Medium	sim: 86 %	sim: 9.800	-



Relative intensity of FCA12777 & FCN12774_IRIS-M-XML

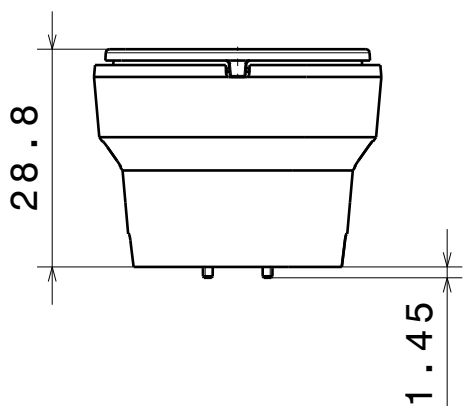


D

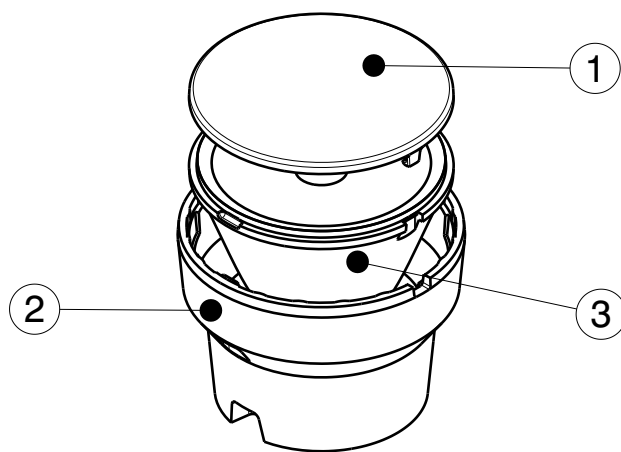
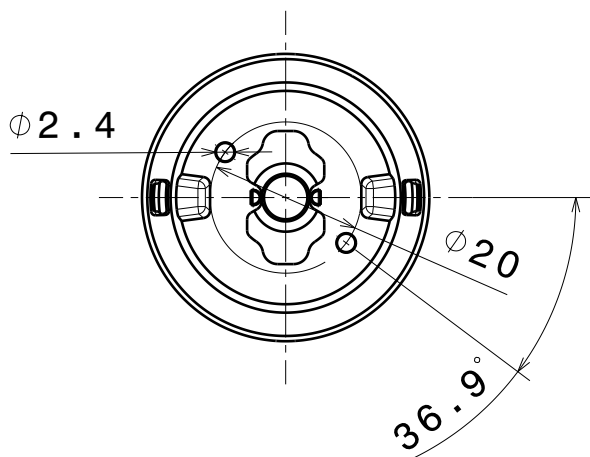
C

B

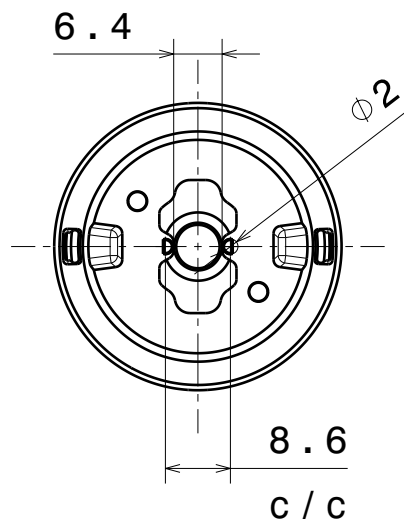
A



Front view

Isometric view
Scale: 1:1

Bottom view 1



Bottom view 2

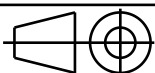
INDEX	PART NO	DESCRIPTION	MATERIAL	COLOUR
1	C10333	LEDILSTAR-SUB	PMMA	
2	C12034	IRIS-XM-HLD	PC	black
3	F12075	IRIS	PMMA	

Tolerances if not otherwise shown
According to DIN ISO 2768-1
Linear measures:
Up to 30mm class M, otherwise class C.
According to DIN ISO 2768-2
Form and position: class L

LEDiL

Ledil Oy
Salorankatu 10
FIN 24240 SALO
Finland

THIRD ANGLE PROJECTION:



DRAWING TITLE

FCN12774_IRIS-M

This drawing is the property
of LEDiL Oy. It may not be
reproduced, copied or
communicated without a written
agreement with LEDiL Oy.

SIZE PART NUMBER

A4

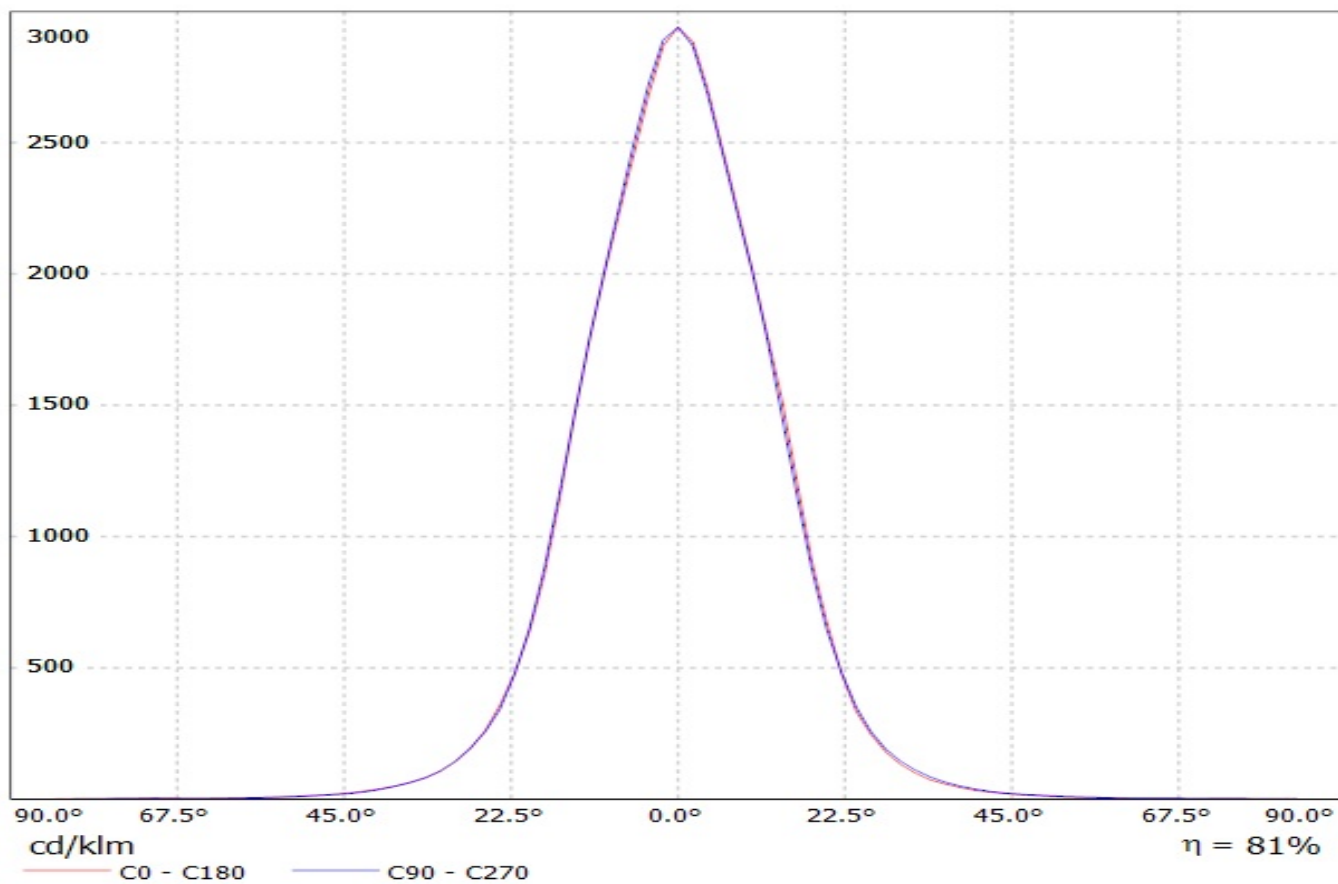
FCN12774

SCALE 1:1 WEIGHT 20 g SHEET 1/1

D

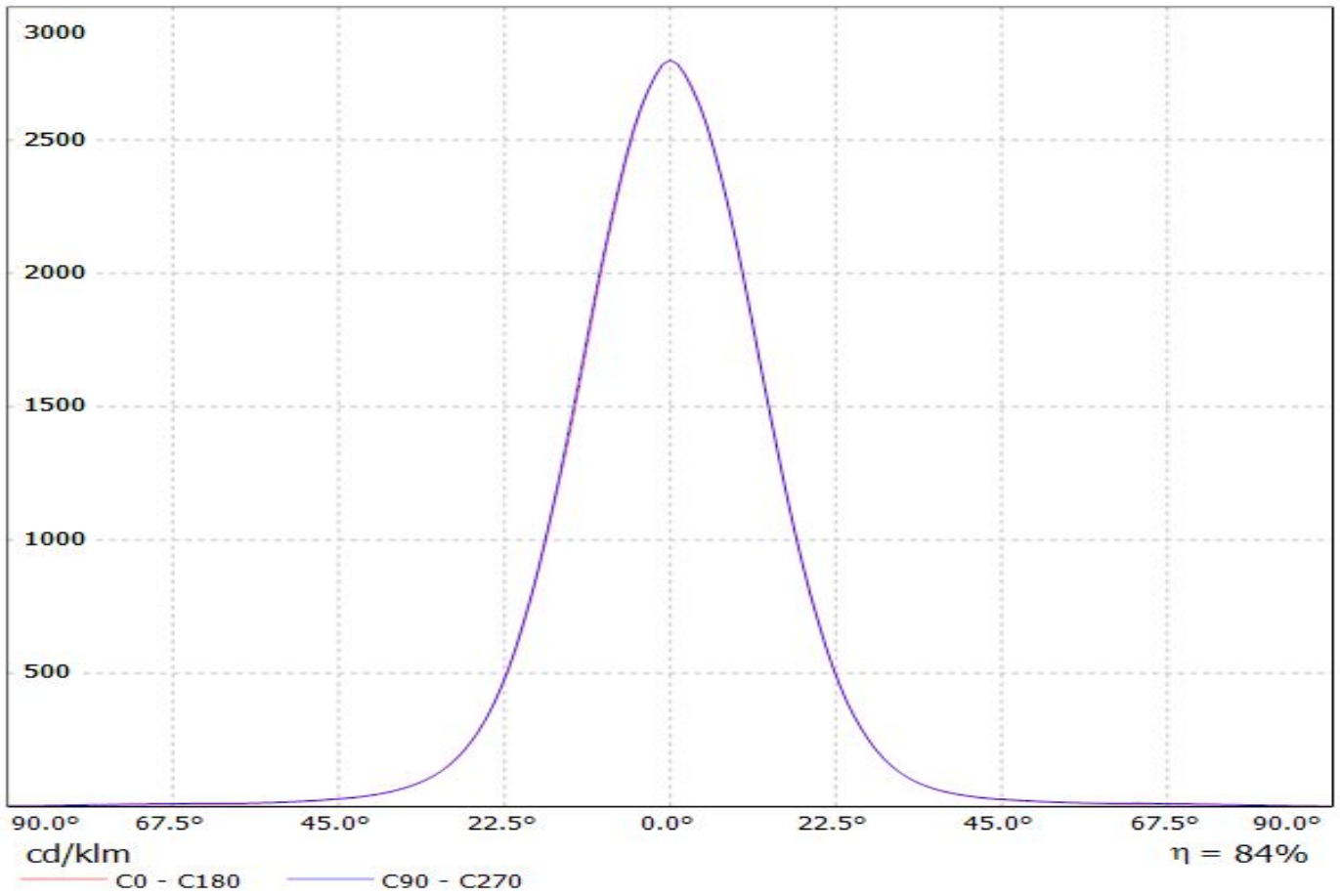
A

Luminaire: LEDil Oy FCN12774_IRIS-M_(XM-L2) Efficiency=80%
Lamps: 1 x Cree XM-L2 (XMLBWT-0-7B4-T30-0L-0001) 91lm @ 250mA CCT=3200K P=0.7W I=250mA

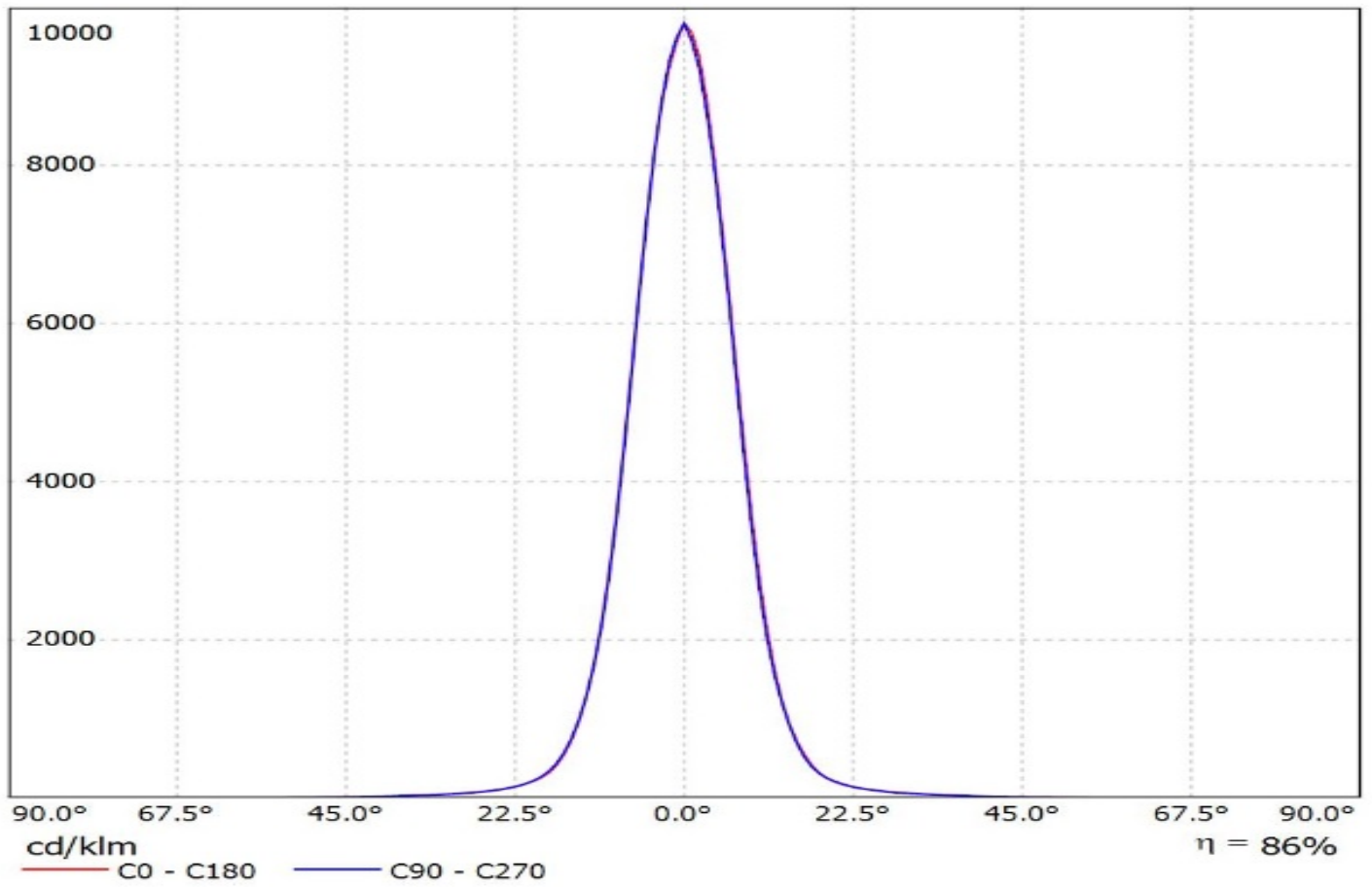


Luminaire: LEDiL Oy FCN12774_IRIS-M_(Cree XHP50 (WW))

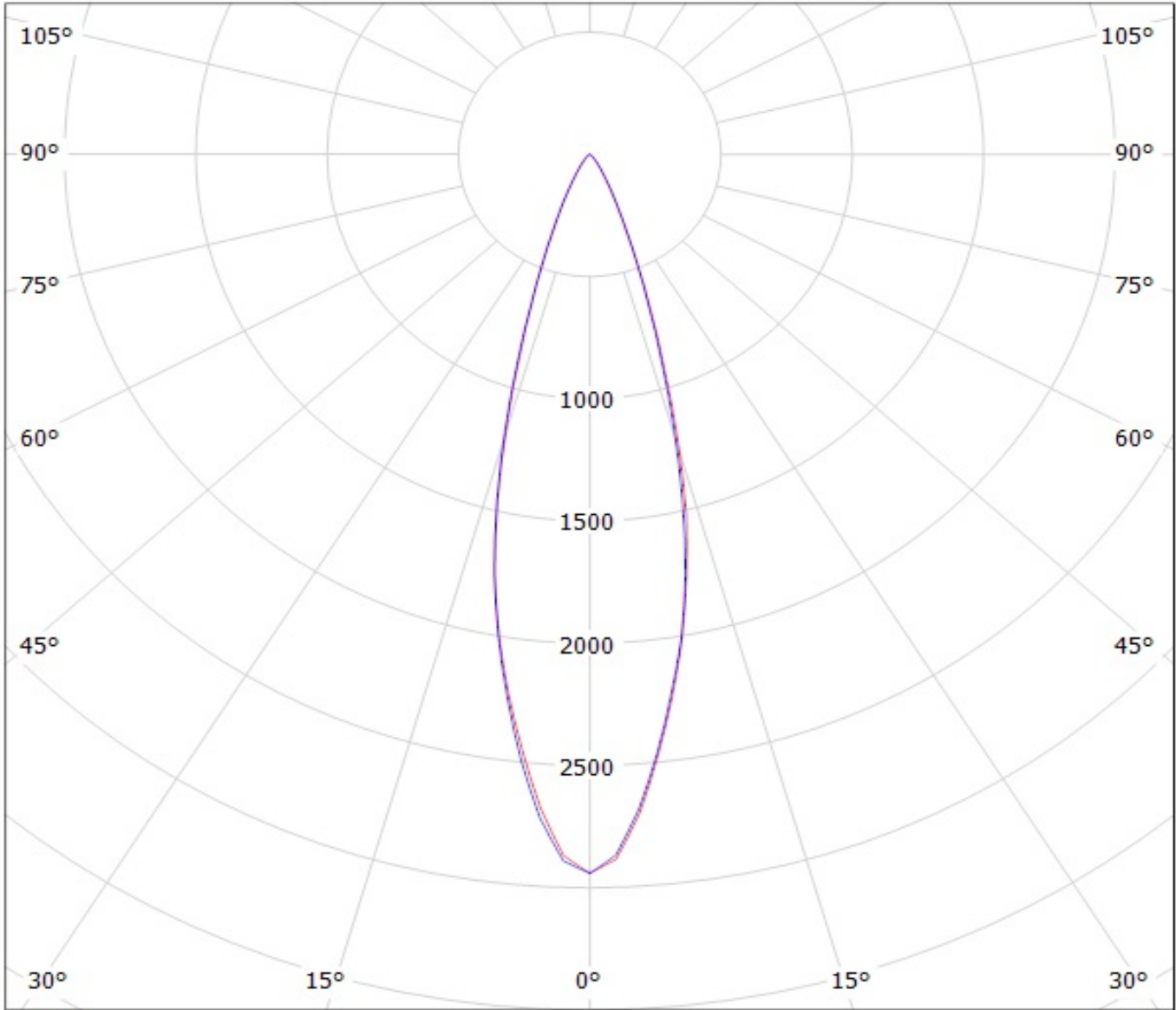
Lamps: 1 x Cree_XHP50_(WW)_195.177lm@250mA_P=1.39754W_I=0.2499A



Luminaire: Ledil Oy FCN12774_IRIS-M_(XHP35_HD)_SIMULATED
Lamps: 1 x Cree XHP35 HD



Luminaire: LEDil Oy FCN12774_IRIS-M_(XM-L2) Efficiency=80%
Lamps: 1 x Cree XM-L2 (XMLBWT-0-7B4-T30-0L-0001) 91lm @ 250mA CCT=3200K P=0.7W I=250mA



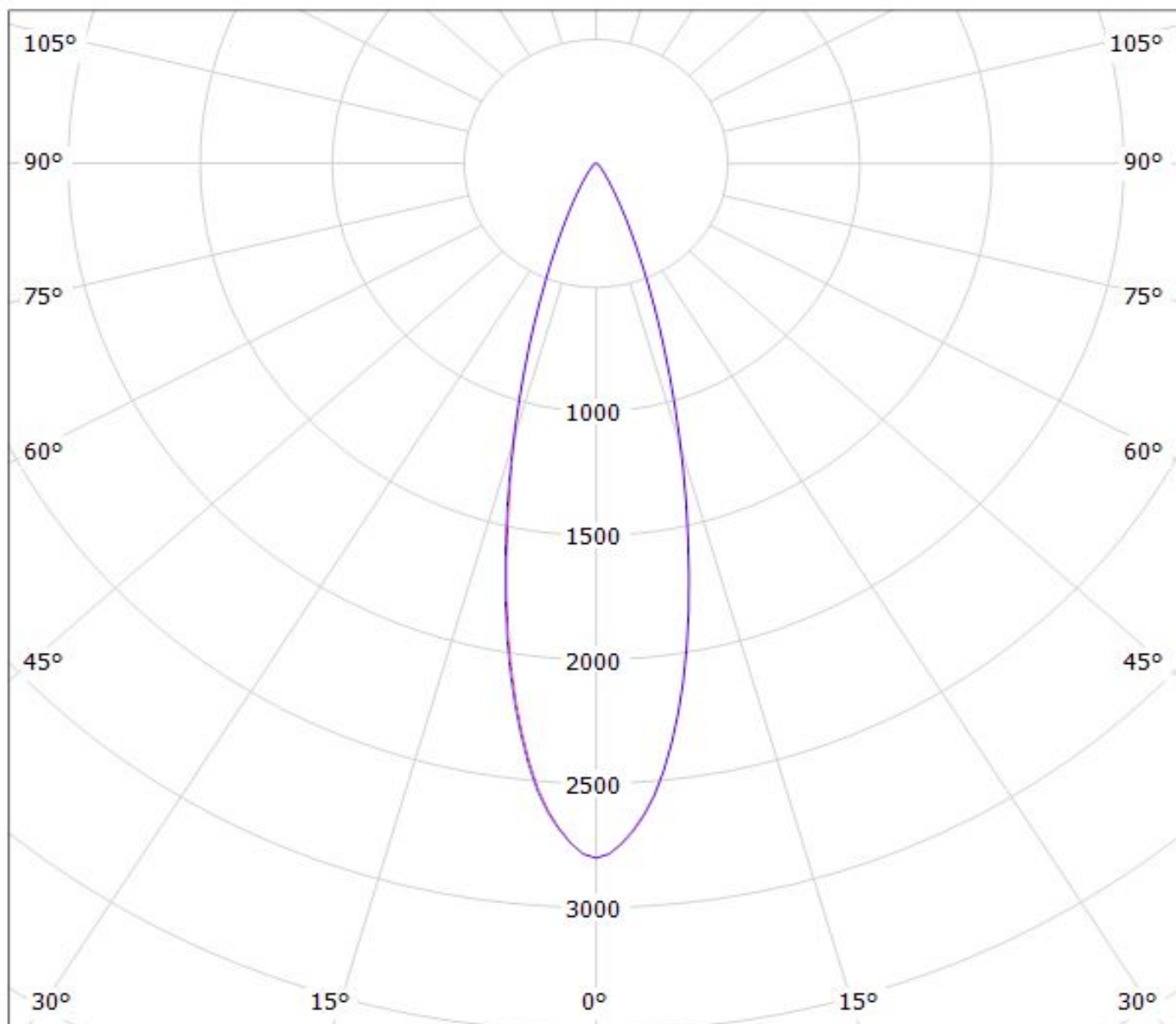
cd/klm

— C0 - C180 — C90 - C270

$\eta = 81\%$

Luminaire: LEDiL Oy FCN12774_IRIS-M_(Cree XHP50 (WW))

Lamps: 1 x Cree_XHP50_(WW)_195.177lm@250mA_P=1.39754W_I=0.2499A



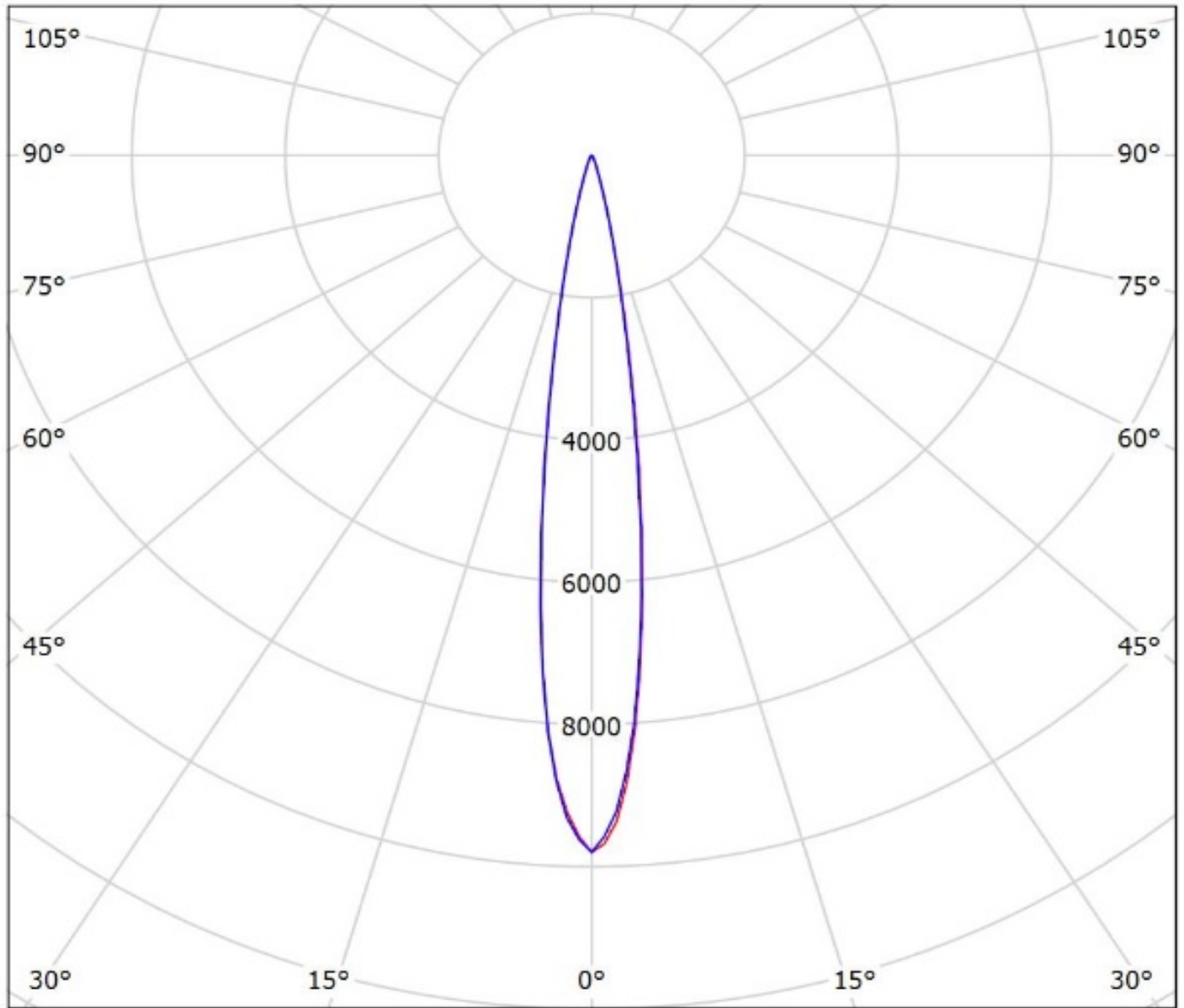
cd/klm

— C0 - C180

— C90 - C270

$\eta = 84\%$

Luminaire: Ledil Oy FCN12774_IRIS-M_(XHP35_HD)_SIMULATED
Lamps: 1 x Cree XHP35 HD



cd/klm
— C0 - C180 — C90 - C270

$\eta = 86\%$

NOTE: The typical divergence will be changed by different color, chip size and chip position tolerance. The typical total divergence is the full angle measured where the luminous intensity is half of the peak value.