

DETAILS

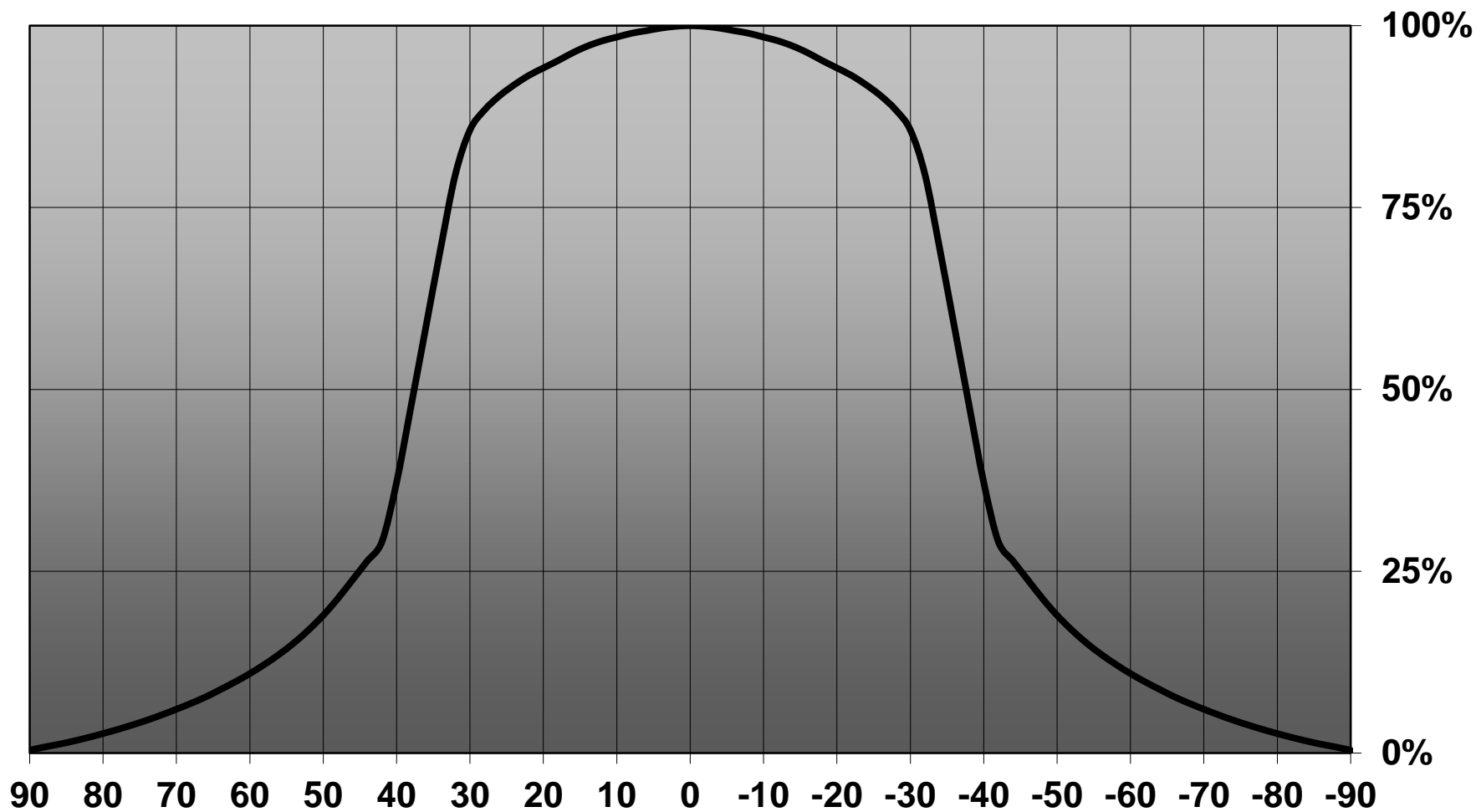
| | |
|------------------------|-------------------|
| Product Number | C12955_BARBARA-XW |
| Family | Barbara |
| Type | Reflector |
| Color | white |
| Diameter | 70 mm |
| Height | 44,7 mm |
| Style | round |
| Optic Material | HRPC |
| Holder Material | |
| Fastening | glue |
| Status | production ready |
| ROHS Compliant | Yes |
| Date Updated | 30/12/2016 |

OPTICAL PROPERTIES

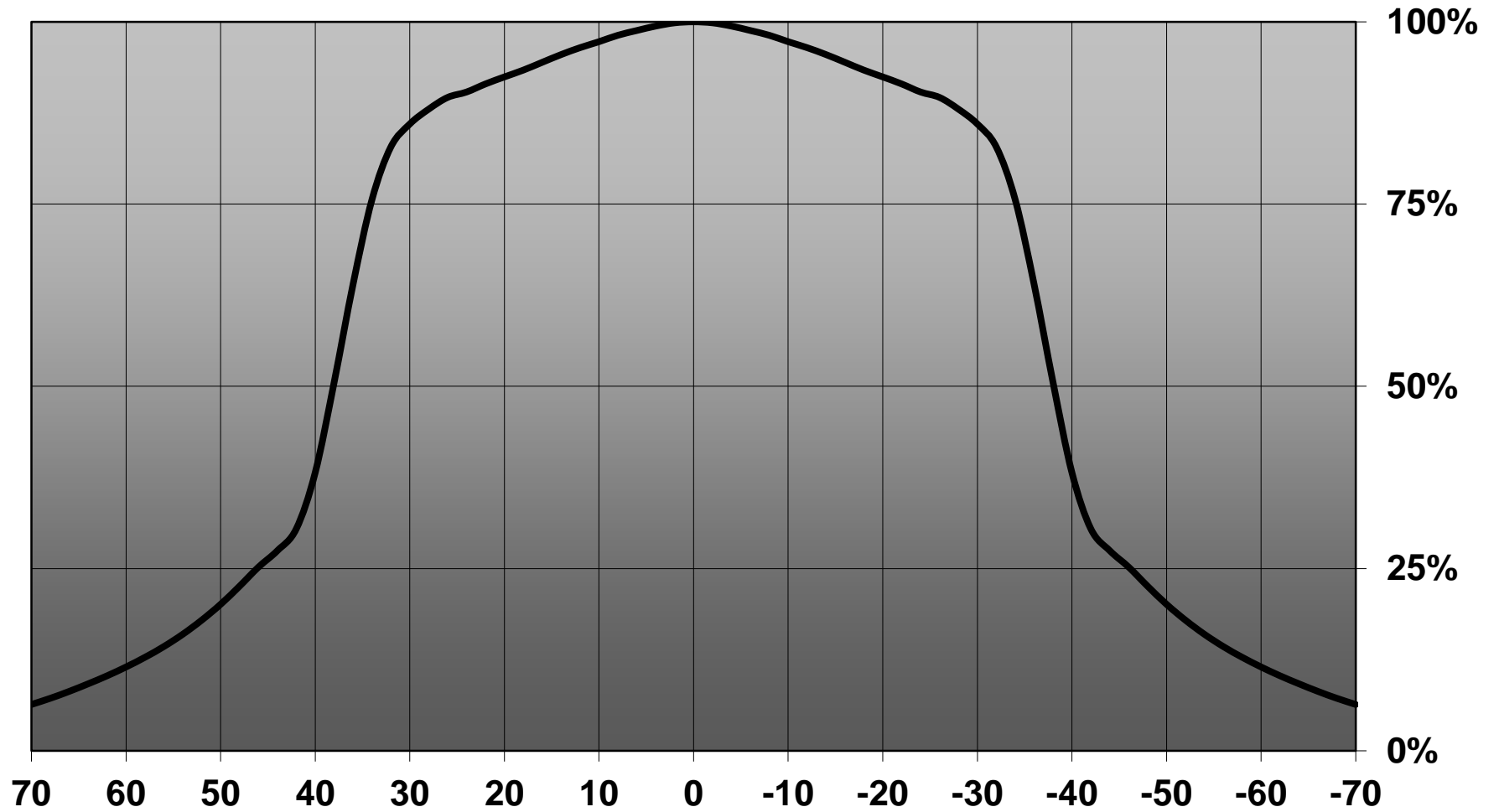
| LED | Viewing Angle | Light Beam | Efficiency | cd/lm | Connector |
|---------------------|---------------|------------|------------|------------|-----------|
| BXRA ES Rectangle | 75 deg | WWW-class | 93 % | 0.550 | - |
| CL-L330 | 76 deg | WWW-class | 92 % | 0.560 | - |
| CLU720/721 | 72 deg | WWW-class | 92 % | 0.620 | - |
| CLU730/731 | sim: 68 | WWW-class | sim: 86 % | sim: 0.730 | - |
| CXA2011 | 75 deg | WWW-class | 90 % | 0.520 | - |
| COB 10W/13W/17W/24W | 72 deg | WWW-class | 91 % | 0.600 | - |
| SLE G5 LES15 | 72 deg | WWW-class | 91 % | 0.625 | - |



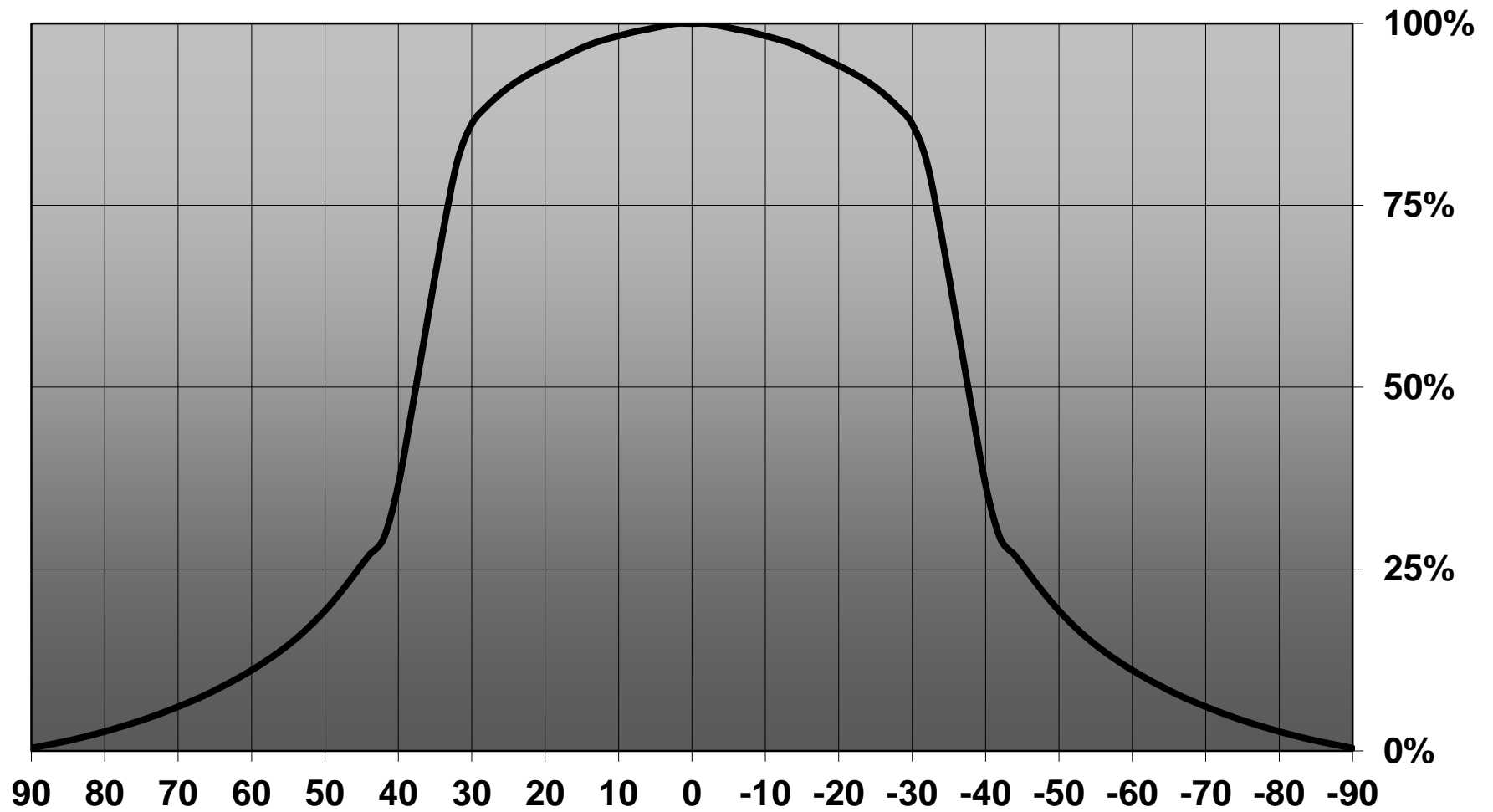
Relative intensity of C12955_BARBARA-XW_(BXRA_ES)



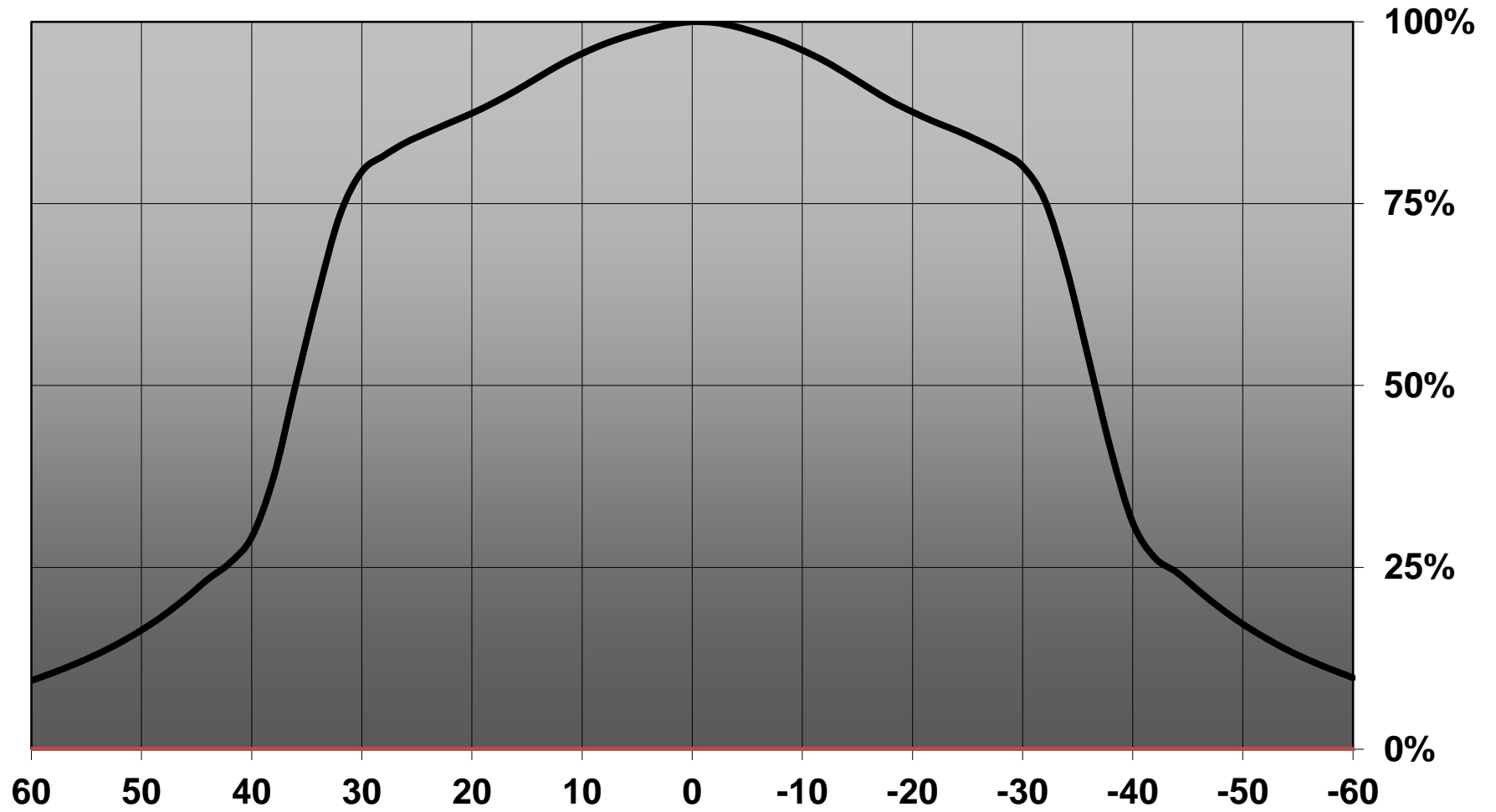
Relative intensity of C12955_BARBARA-XW_(CL-L330)



Relative intensity of C12955_BARBARA-XW_(CXA20)



Relative intensity of Barbara-XW (COB-10W)



D

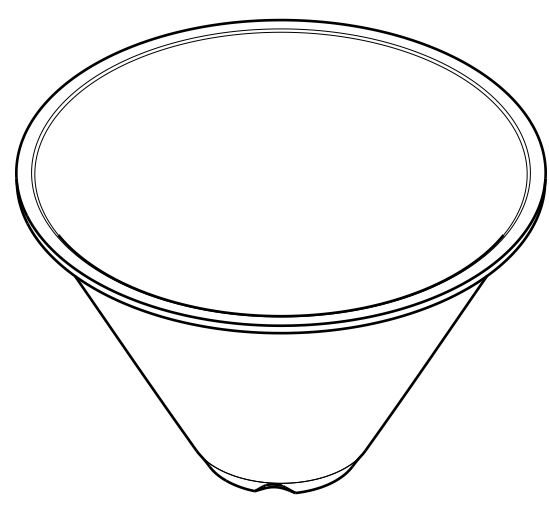
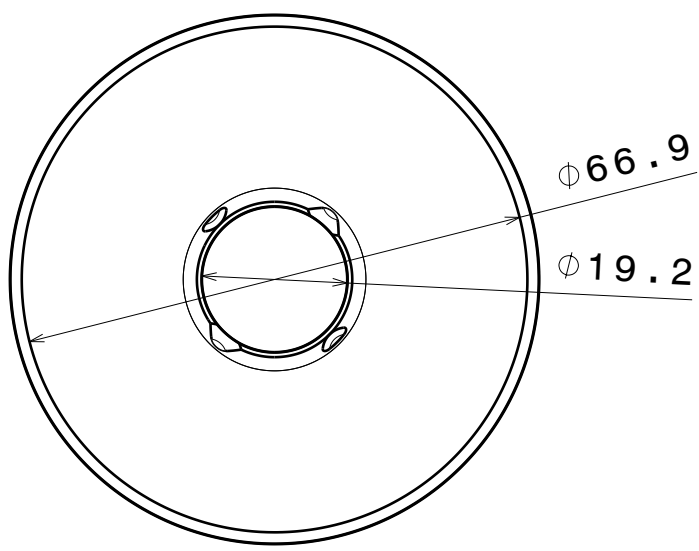
C

B

A

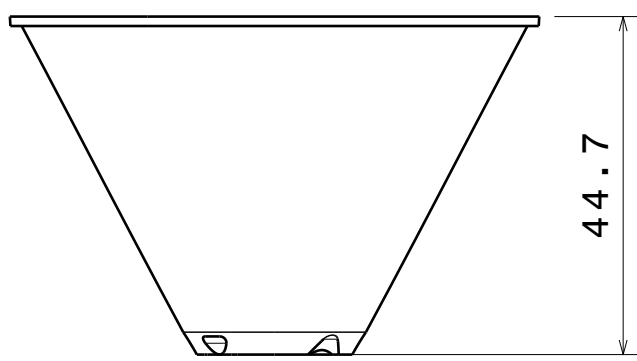
4

4



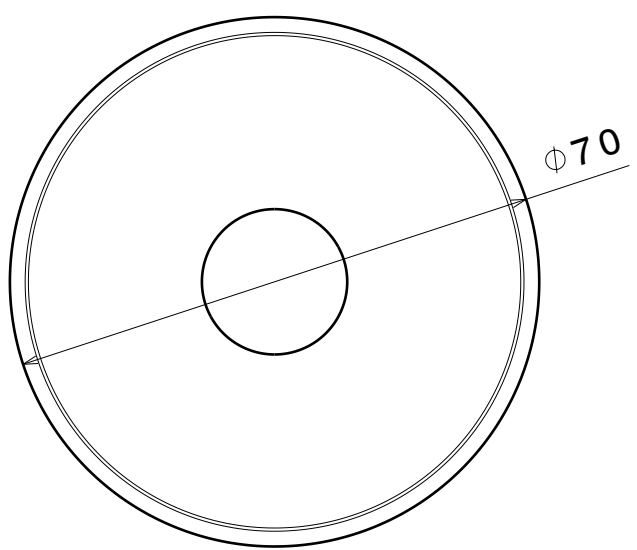
3

3



2

2



Material:

PC, high reflective white

This drawing is our property.
It can't be reproduced
or communicated without
our written agreement.



Ledil Oy
Salorankatu 10
FIN 24240 SALO
Finland

DRAWING TITLE

DRAWN BY
as

DATE
3.8.2012

BARBARA - XW

CHECKED BY
sn

DATE
-

SIZE
A4

PART NUMBER

REV
001

DESIGNED BY
-

DATE
-

SCALE 1:1

WEIGHT

SHEET

1/1

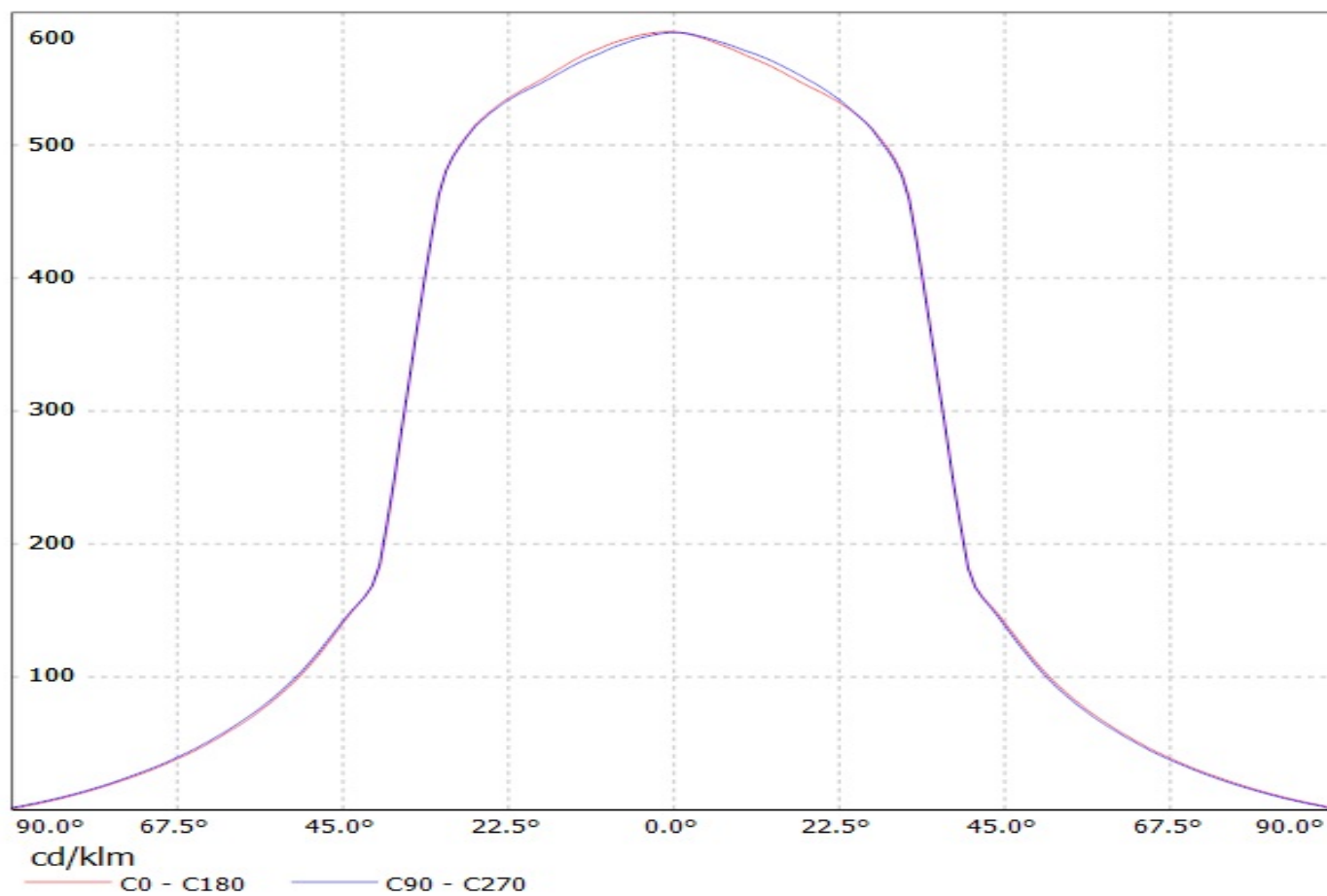
D

A

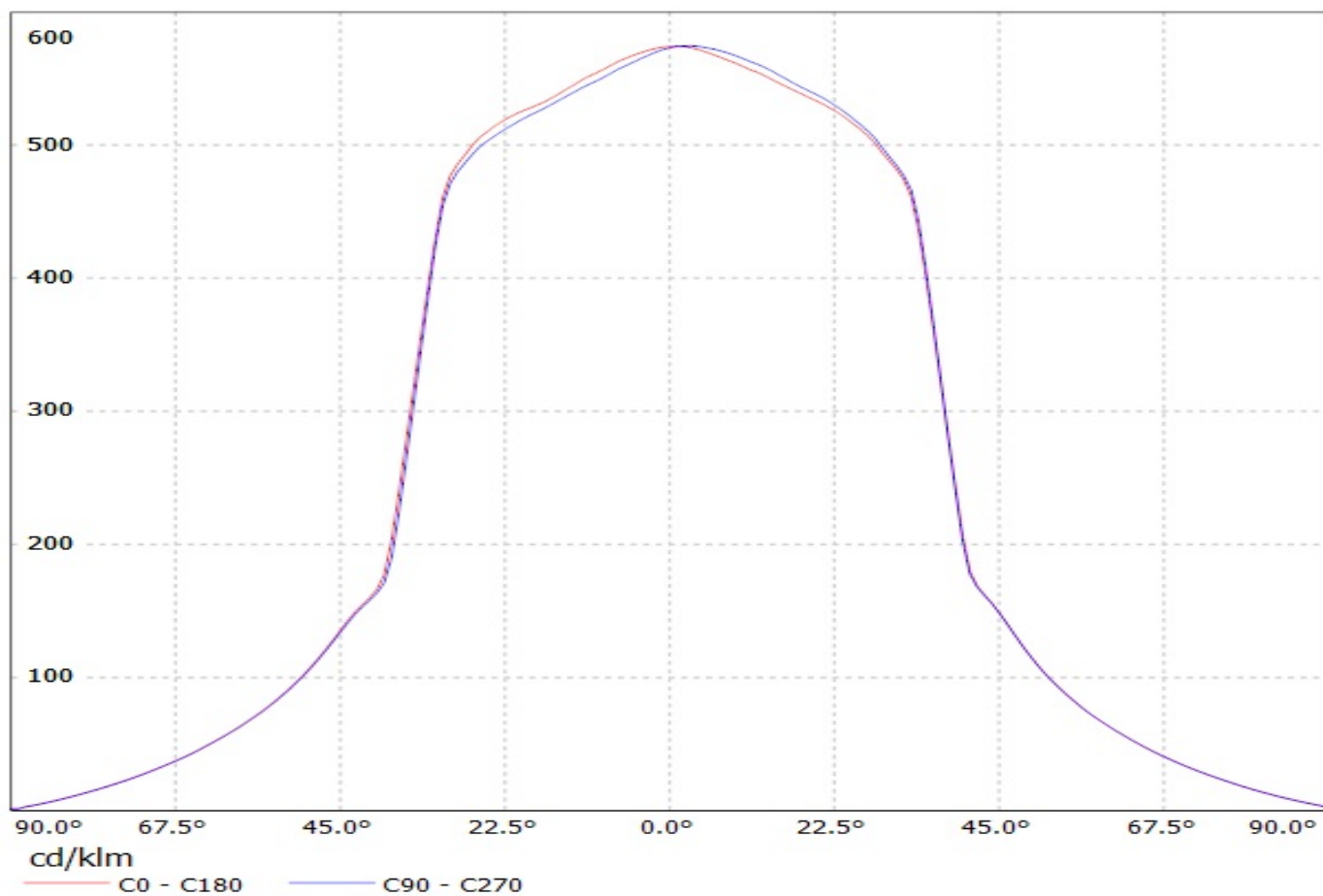
1

1

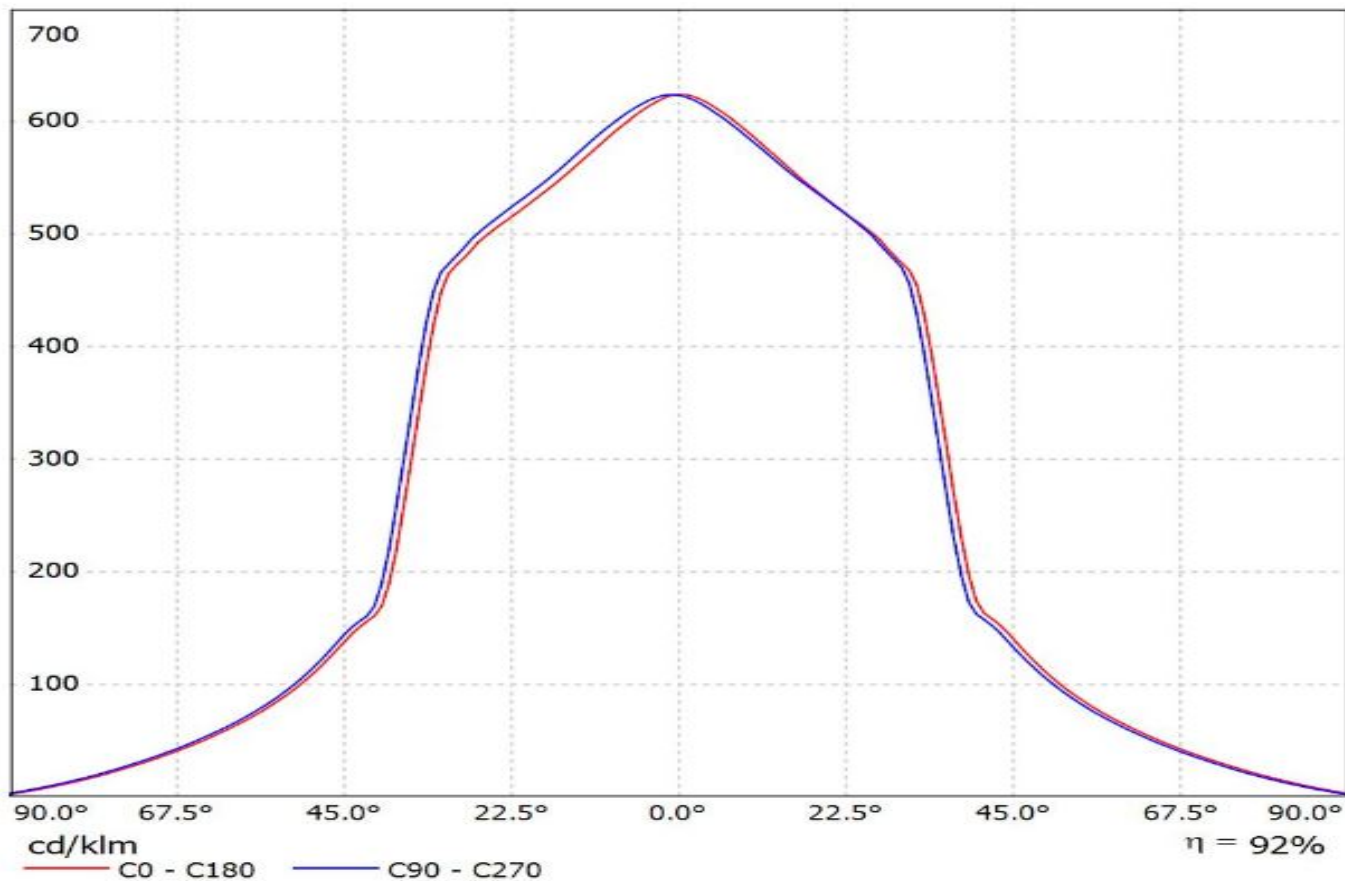
Luminaire: LEDiL Oy C12955_BARBARA-XW_(BXRA-ES) Eff.92.8%
Lamps: 1 x BXRA-N0802 (222.114lm@250mA)



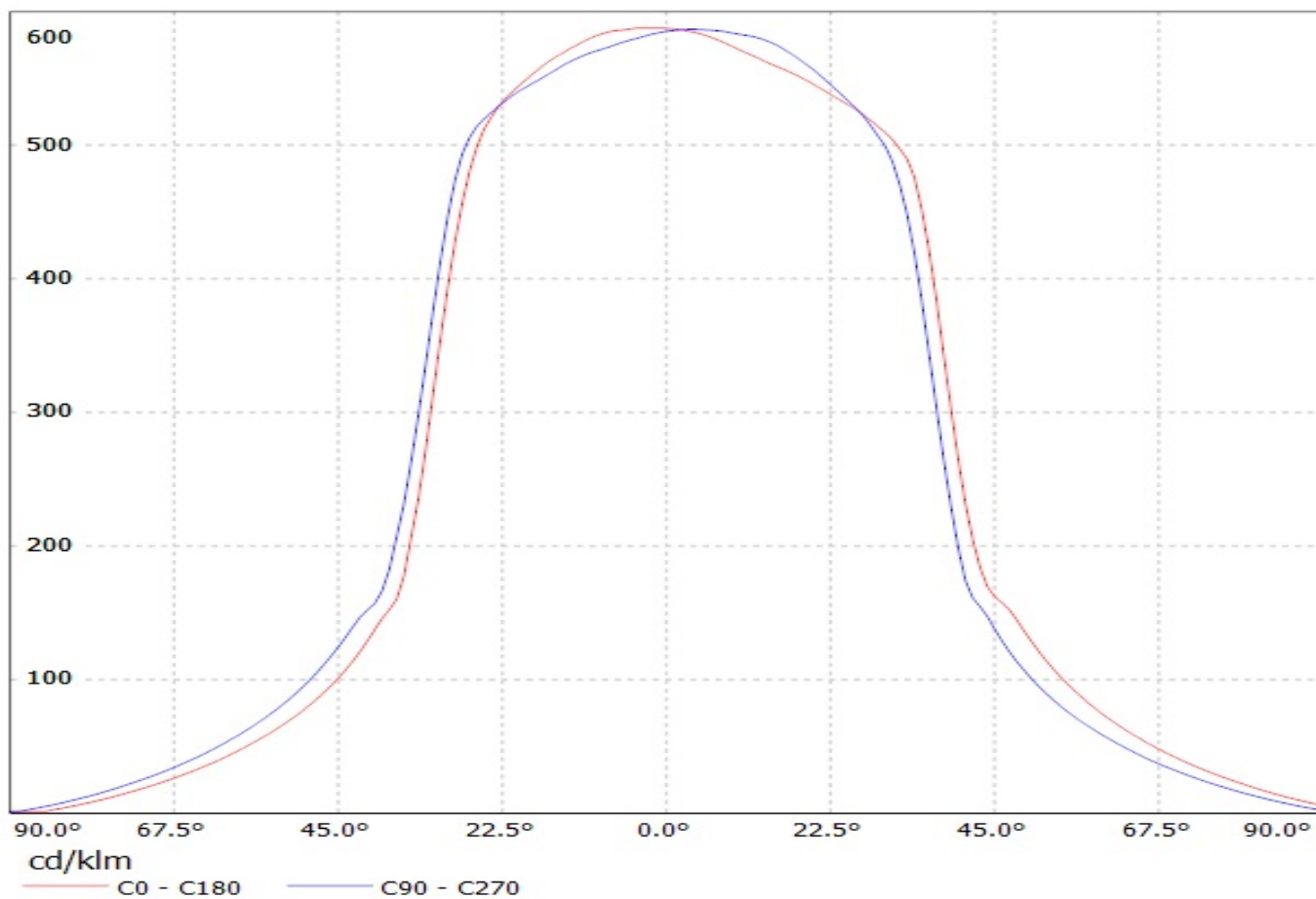
Luminaire: LEDiL Oy C12955_BARBARA-XW_(CLL-330) Eff.91.5%
Lamps: 1 x CLL-330 (858.864lm@250mA)



Luminaire: Ledil C12955_BARBARA-XW_(CLU720)
Lamps: 1 x CITIZEN_CLU720_(CLU720-1206B8-273M2)
_1298.17lm@250mA_CCT=2700K_P=8.3W_I=0.25A

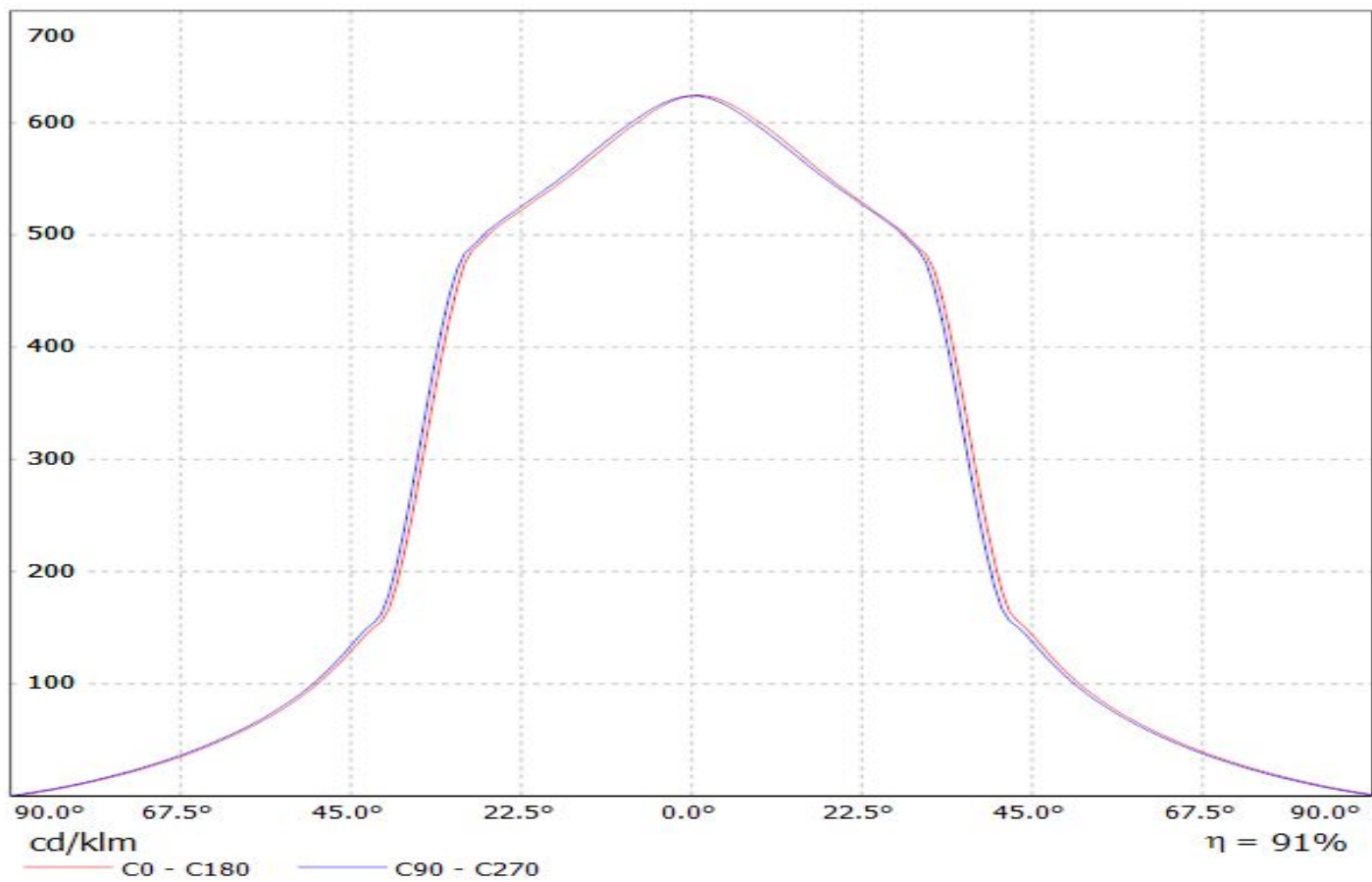


Luminaire: LEDiL Oy C12955_BARBARA-XW_(CXA-2011) Eff.89.7%
Lamps: 1 x Cree CXA-2011 (698lm@250mA)

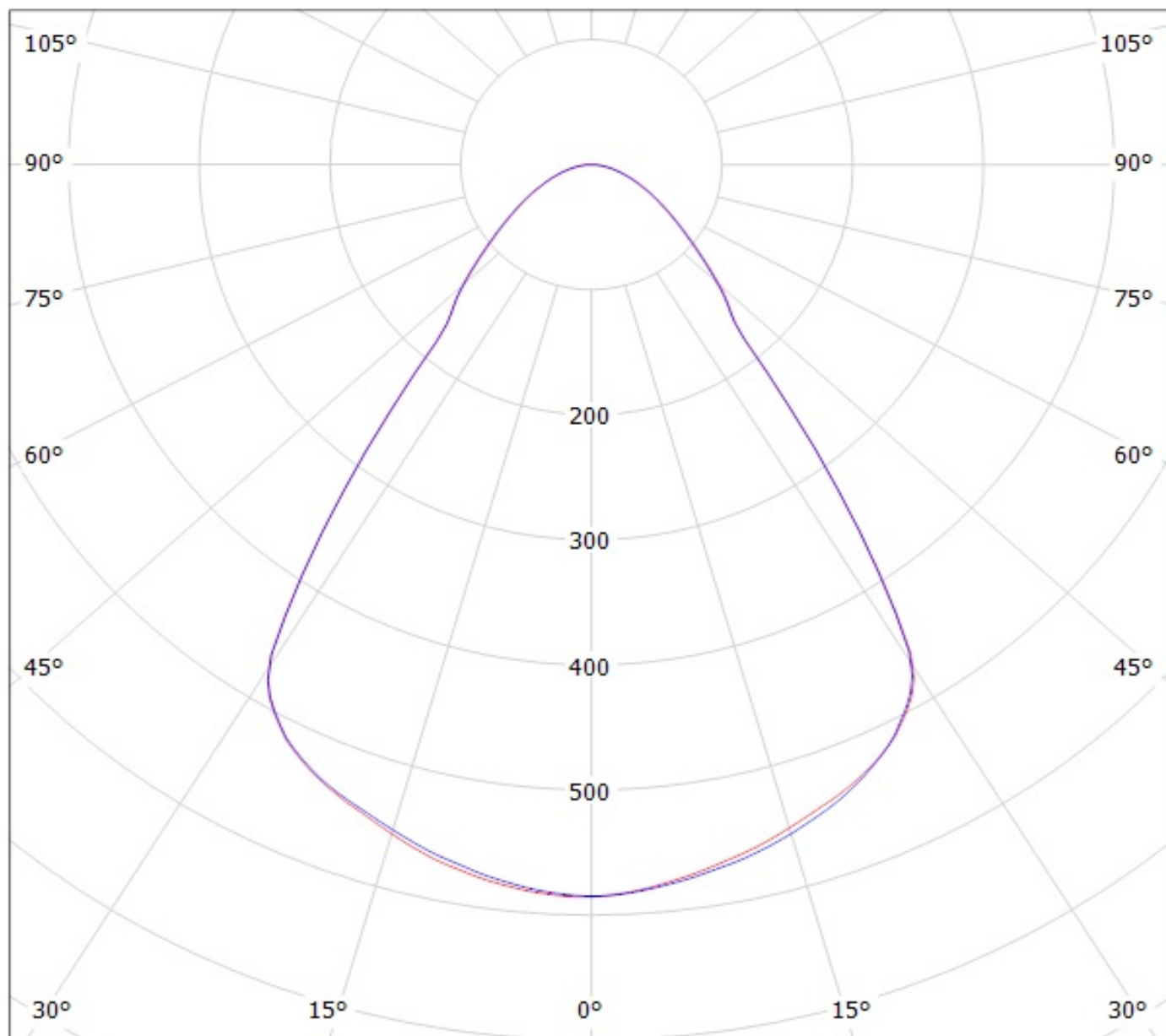


Luminaire: LEDiL Oy C12955_BARBARA-XW_(SLE-G5_LES-15)

Lamps: 1 x Tridonic_SLE-G5_LES-15_1280.24lm@250mA_P=8.6273W_I=0.250A



Luminaire: LEDiL Oy C12955_BARBARA-XW_(BXRA-ES) Eff.92.8%
Lamps: 1 x BXRA-N0802 (222.114lm@250mA)

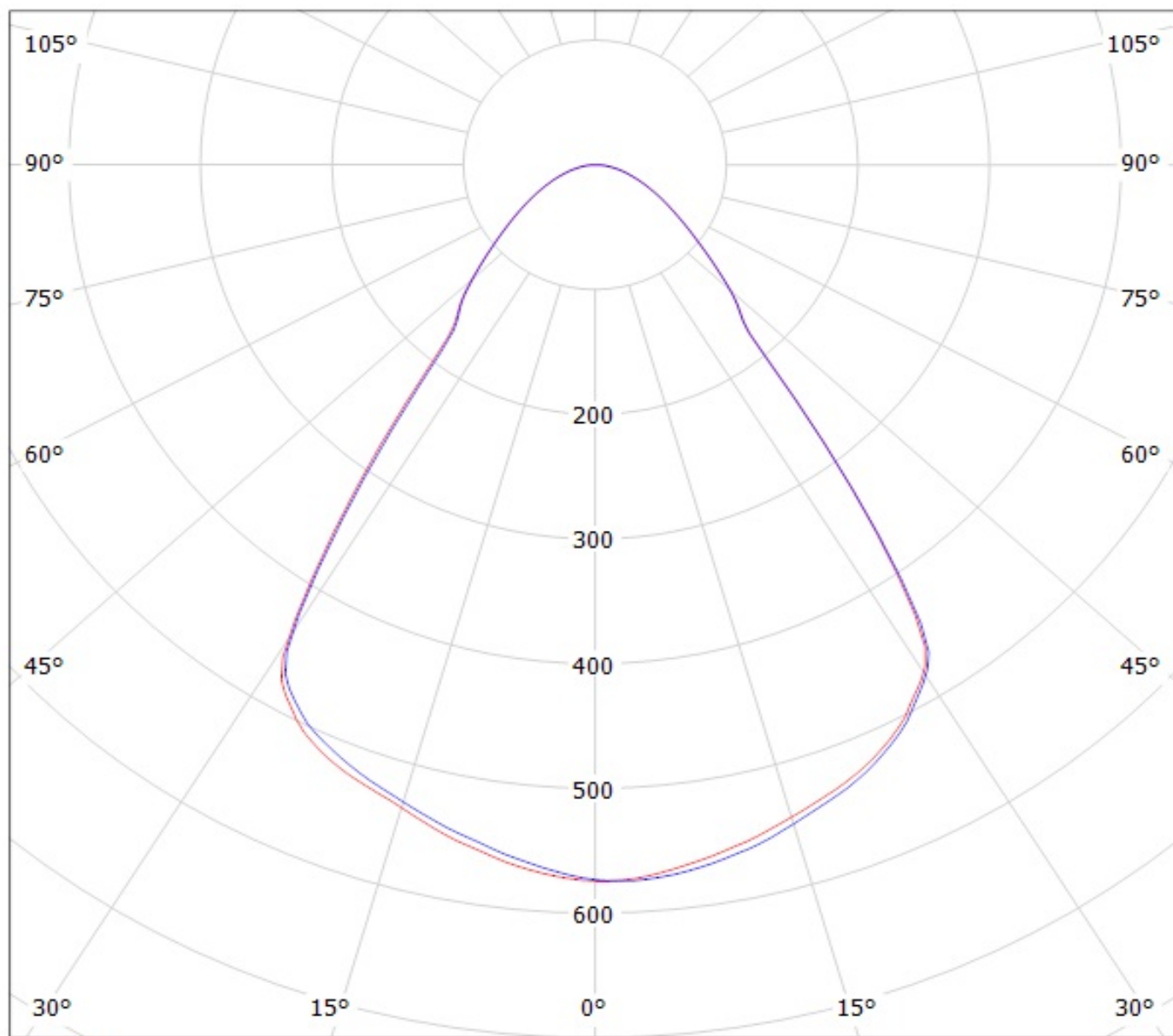


cd/klm

— C0 - C180

— C90 - C270

Luminaire: LEDiL Oy C12955_BARBARA-XW_(CLL-330) Eff.91.5%
Lamps: 1 x CLL-330 (858.864lm@250mA)

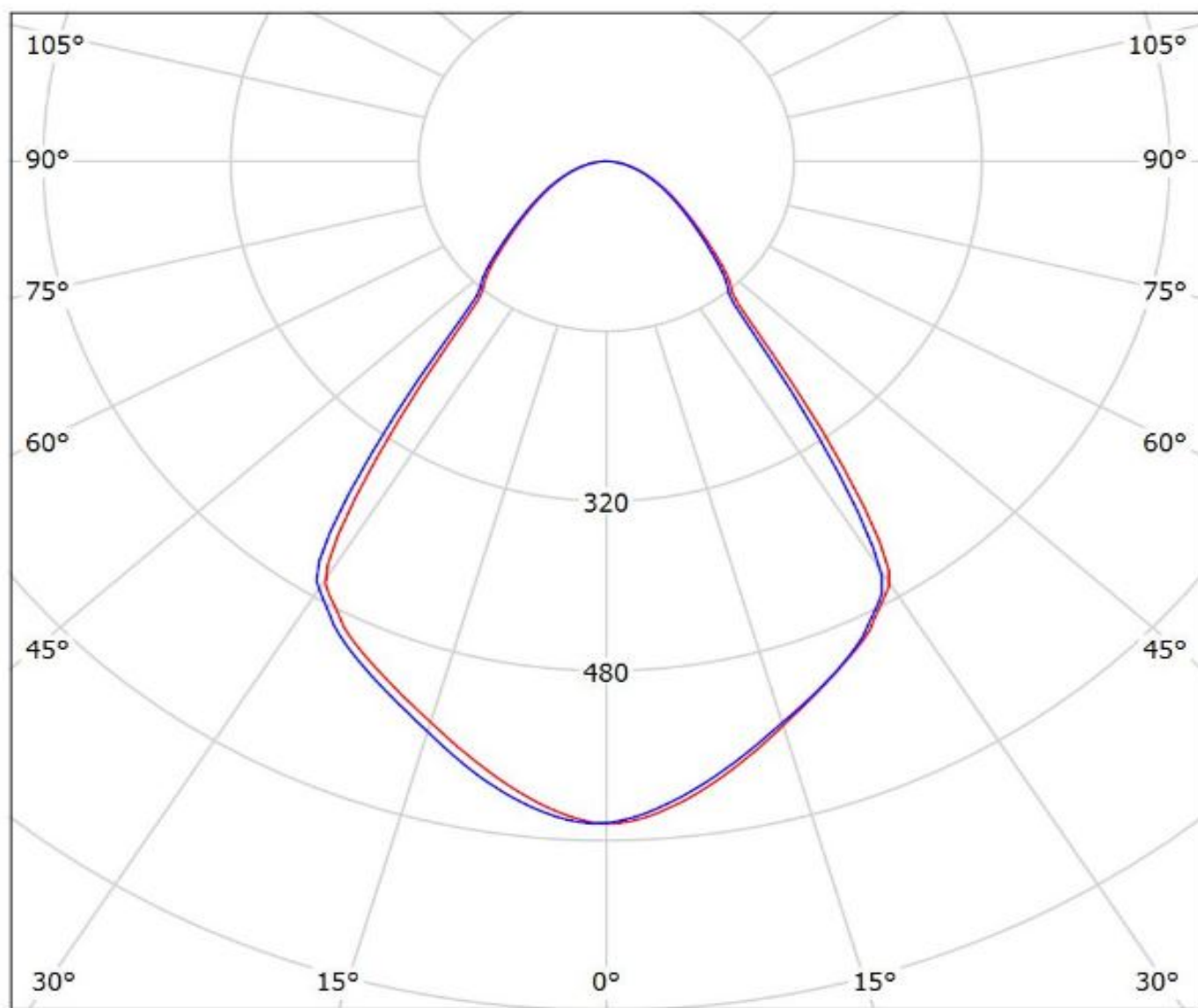


cd/klm

— C0 - C180

— C90 - C270

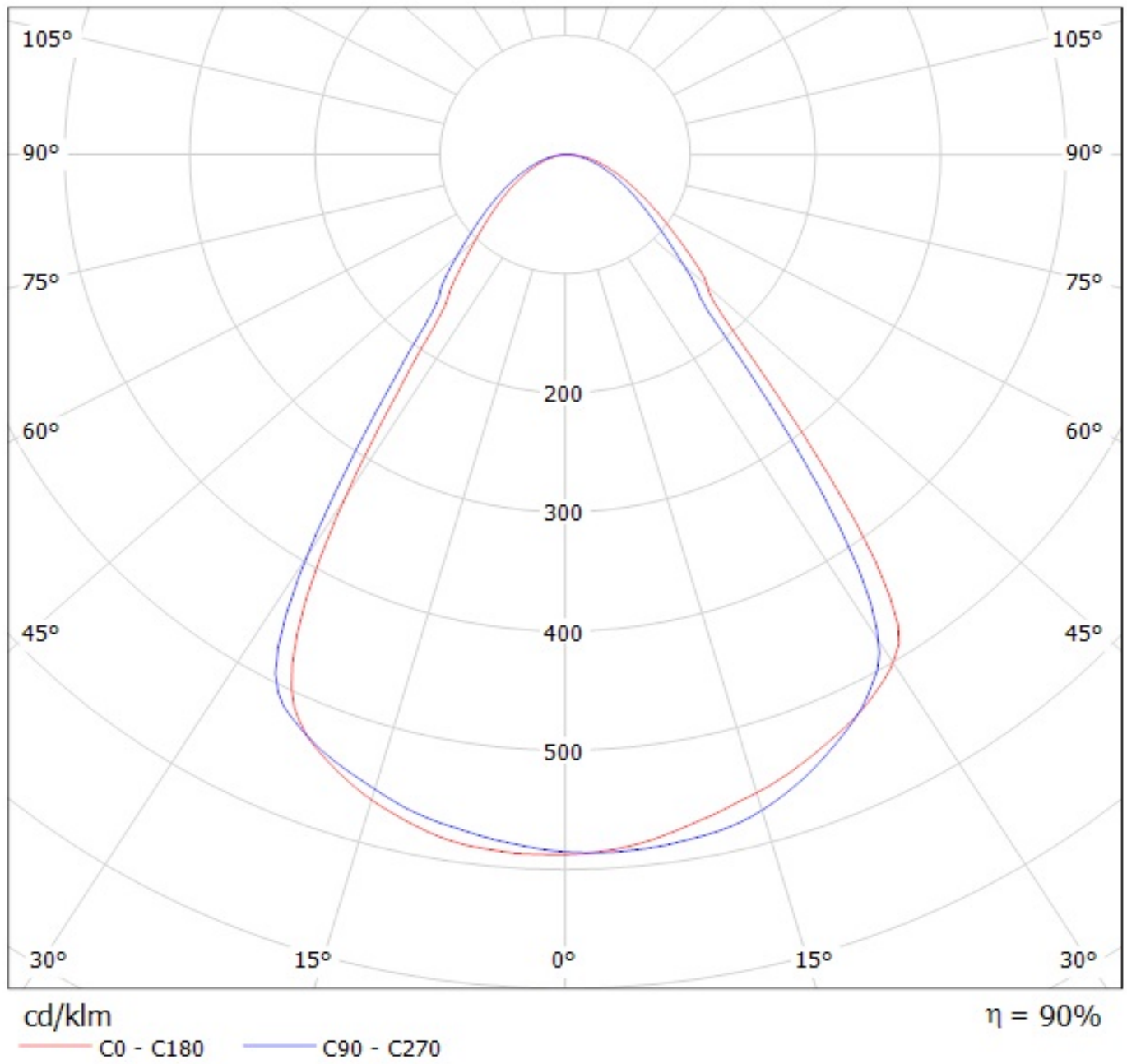
Luminaire: Ledil C12955_BARBARA-XW_(CLU720)
Lamps: 1 x CITIZEN_CLU720_(CLU720-1206B8-273M2)
_1298.17lm@250mA_CCT=2700K_P=8.3W_I=0.25A



cd/klm
— C0 - C180 — C90 - C270

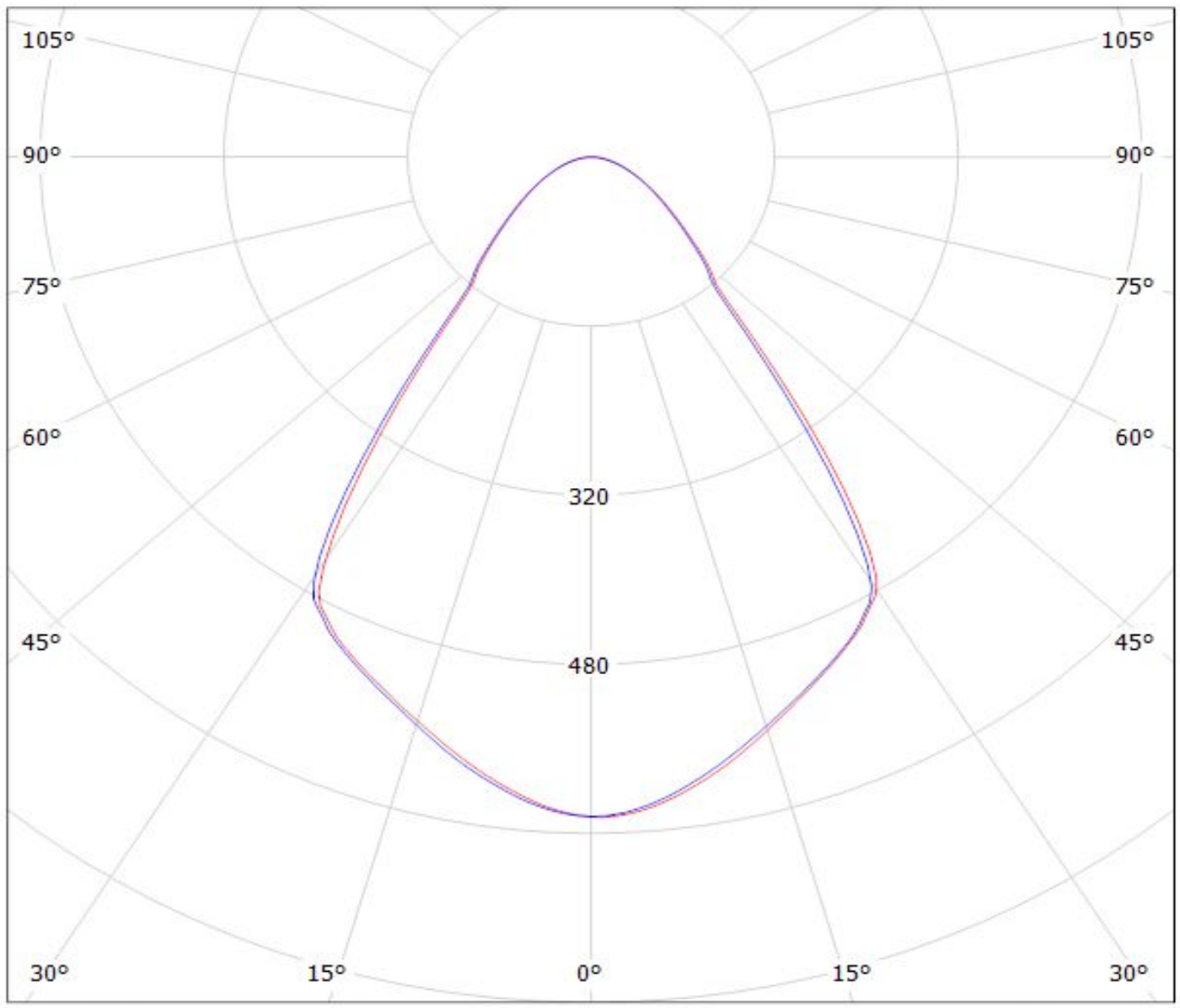
$\eta = 92\%$

Luminaire: LEDiL Oy C12955_BARBARA-XW_(CXA-2011) Eff.89.7%
Lamps: 1 x Cree CXA-2011 (698lm@250mA)



Luminaire: LEDiL Oy C12955_BARBARA-XW_(SLE-G5_LES-15)

Lamps: 1 x Tridonic_SLE-G5_LES-15_1280.24lm@250mA_P=8.6273W_I=0.250A



cd/klm

— C0 - C180 — C90 - C270

$\eta = 91\%$

NOTE: The typical divergence will be changed by different color, chip size and chip position tolerance. The typical total divergence is the full angle measured where the luminous intensity is half of the peak value.

GENERAL INFORMATION

- Product series especially designed & optimized for series of LEDs.
- Special care taken to make light distribution as uniform as possible.

Note! Due to use of high power COB's with this product, special attention to proper thermal design is highly recommended. LEDiL has no liability for direct, indirect or consecutive damages arising from the LEDiL products being used outside of the recommended temperature range.