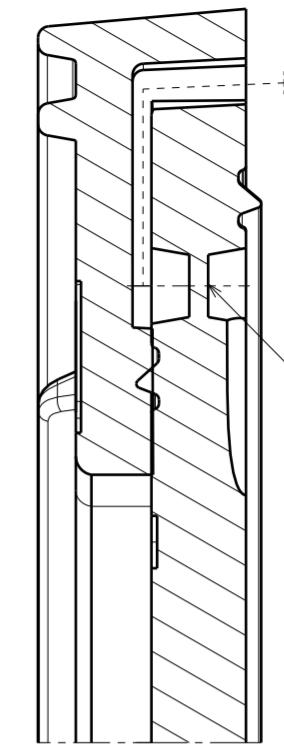
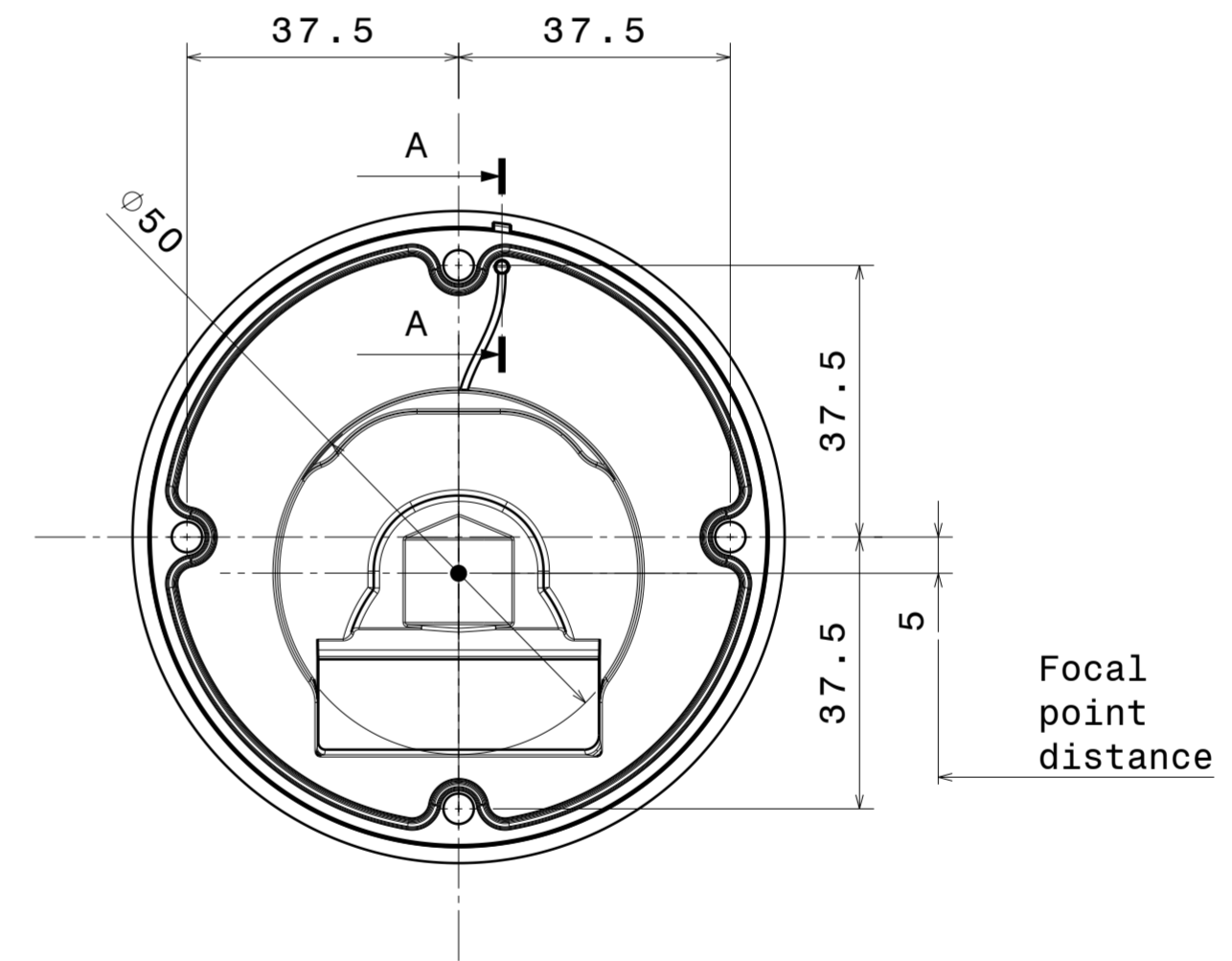
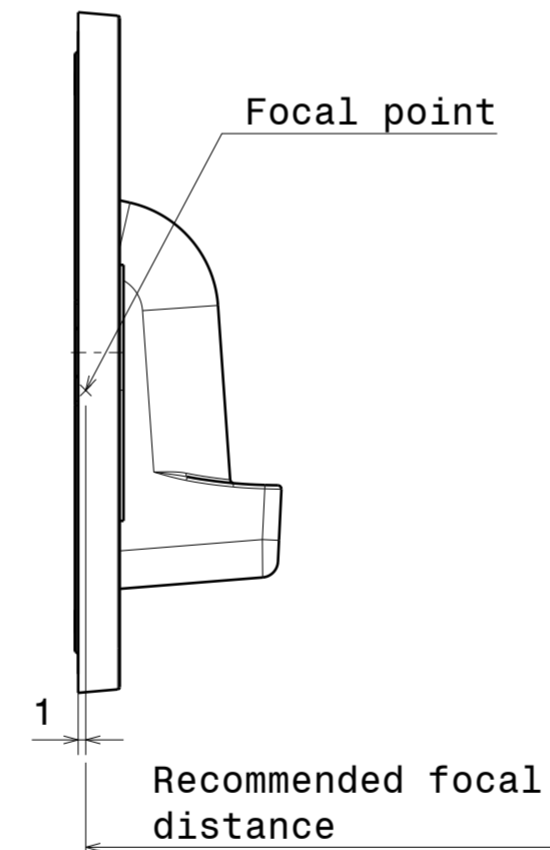
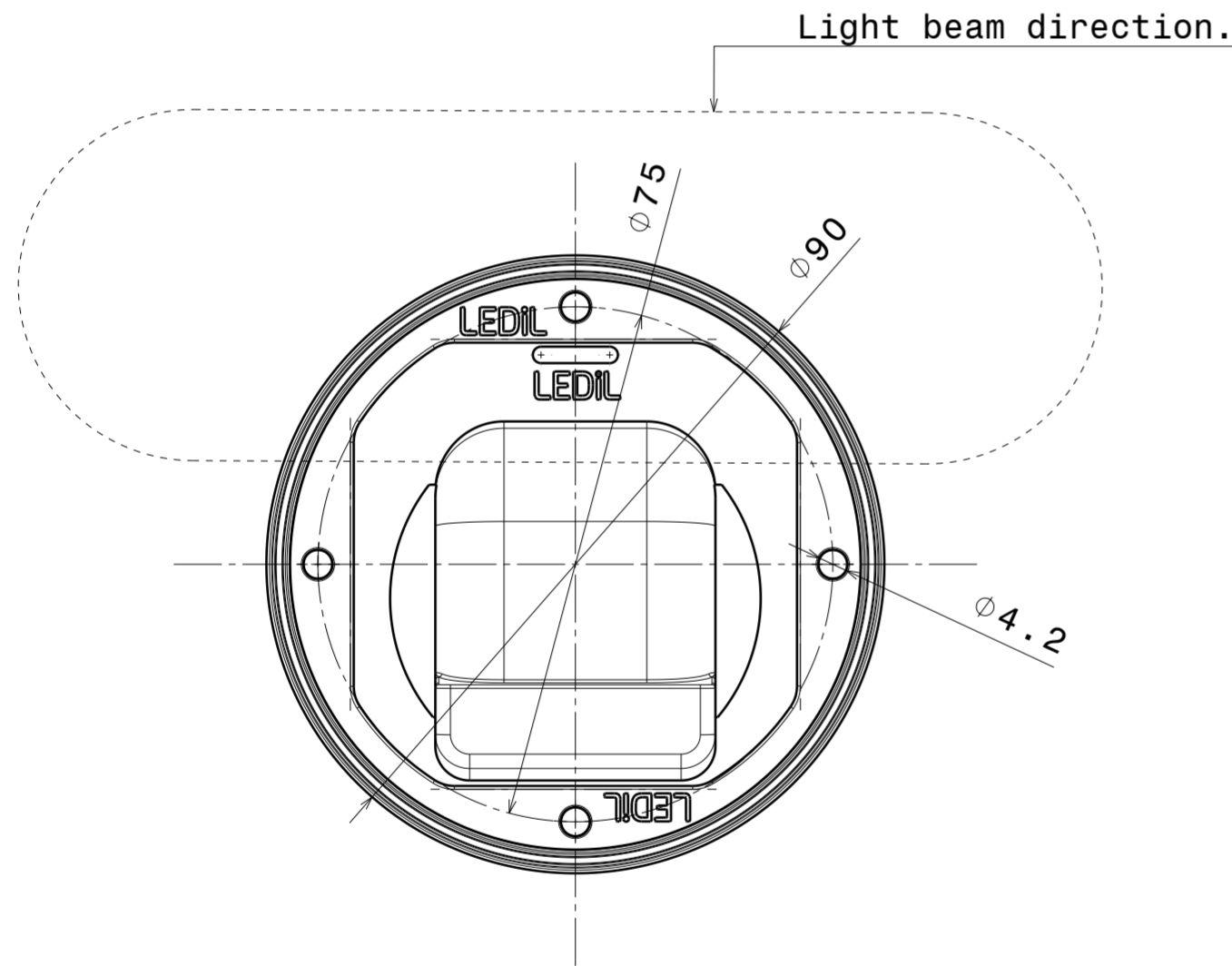


Isometric view  
Scale: 1:1



Venting pipe:  
Piercing this membrane  
will Allow lens breathing

Section view A-A  
Scale: 5:1



NOTE: Maximum recommended tightening torque for STELLA-FRAME-WHT is 0,4Nm

INDEX	PART NO	DESCRIPTION	MATERIAL	COLOUR
1	F14514	STELLA-T4	Optical grade LSR	
2	F14252	STELLA-FRAME-WHT	PA66GF30	white

Tolerances if not otherwise shown  
According to DIN ISO 2768-1  
Linear measures: class V  
Please note that due to the elasticity of  
products made of silicone actual measured  
values may vary, and therefore typical  
tolerance values may not be applied.

**LEDiL** LediL Oy  
Salorankatu 10  
FIN 24240 SALO  
Finland

THIRD ANGLE PROJECTION:

DRAWING TITLE  
**STELLA-T4 datasheet**

This drawing is the property  
of LEDiL Oy. It may not be  
reproduced, copied or  
communicated without a written  
agreement with LEDiL Oy.

SIZE PART NUMBER  
**A2 FN15187**

SCALE 1:1 WEIGHT - SHEET 1/1