

92mm sq.

San Ace 92



General Specifications

- Material Frame: Plastics (Flammability: UL94V-0),
Impeller: Plastics (Flammability: UL94V-1)
- Expected Life Refer to specifications (L10:Survival rate:90% at 60°C ,
rated voltage, and continuously run in a free air state)
- Lead Wire ⊕red ⊖black or blue (Sensor) yellow
- Storage Temperature -30°C to +70°C (Non-condensing)

92×92×32mm (Mass : 170g) **9G type**

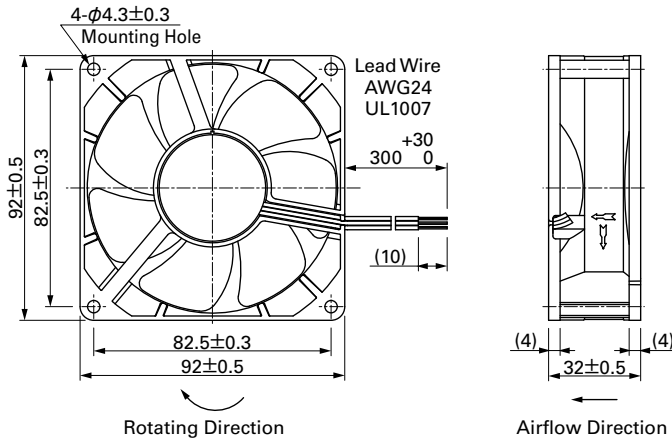
Specifications

The following nos. **have pulse sensors and ribs**. For ribless, append "1" to the model no.

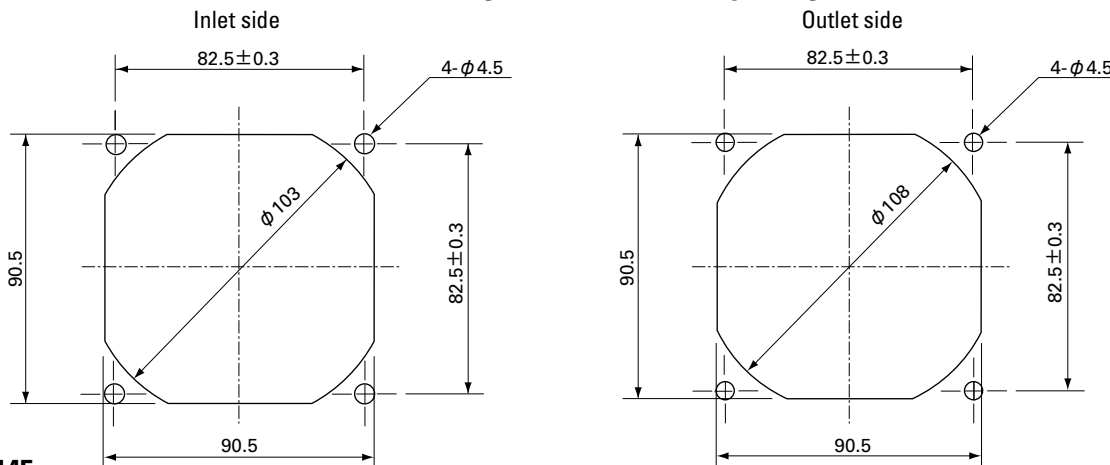
Model No.	Rated Voltage [V]	Operating Voltage Range [V]	Rated Current [A]	Rated Input [W]	Rated Speed [min ⁻¹]	Max. Airflow [m ³ /min] [CFM]	Max. Static Pressure [Pa] [inchH ₂ O]	SPL [dB(A)]	Operating Temperature [°C]	Expected Life [h]
9G0912A201	12	10.2 to 13.8	0.58	6.96	4,300	2.50 88.3	115 0.462	44	-20 to +70	40,000/60°C
9G0912S201			0.38	4.56	3,500	2.00 70.7	77 0.309	38		
9G0912H201			0.23	2.76	2,850	1.59 56.2	51 0.205	32		
9G0912M201			0.13	1.56	2,100	1.20 42.4	27 0.108	25		
9G0924A201	24	20.4 to 27.6	0.30	7.20	4,300	2.50 88.3	115 0.462	44	-20 to +60	
9G0924S201			0.19	4.56	3,500	2.00 70.7	77 0.309	38		
9G0924H201			0.12	2.88	2,850	1.59 56.2	51 0.205	32		
9G0924M201			0.08	1.92	2,100	1.20 42.4	27 0.108	25		
9G0948A201	48	40.8 to 55.2	0.16	7.68	4,300	2.50 88.3	115 0.462	44	-20 to +70	
9G0948S201			0.11	5.28	3,500	2.00 70.7	77 0.309	38		
9G0948H201			0.08	3.84	2,850	1.59 56.2	51 0.205	32		
9G0948M201			0.05	2.40	2,100	1.20 42.4	27 0.108	25		

Other sensor specifications are available as options. Please refer to the index (pp. 502 to 503).

Dimensions (unit: mm) (With ribs)



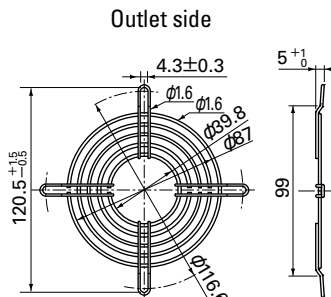
Reference Dimensions of Mounting Holes and Vent Opening (unit: mm)



Options (unit: mm)

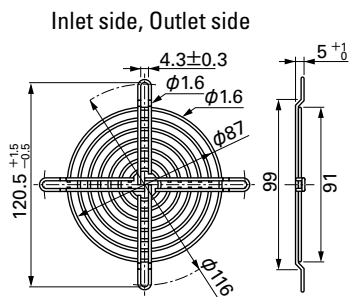
Finger Guards

Model : 109-099C Surface treatment : Nickel-chrome plating (silver) Color



Mass : 22g

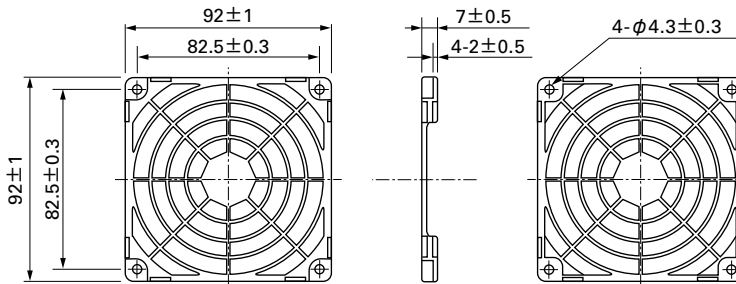
Model : 109-099E Surface treatment : Nickel-chrome plating (silver) Color : 109-099H Cation electropainting (black)



Mass : 29g

Resin Finger Guards

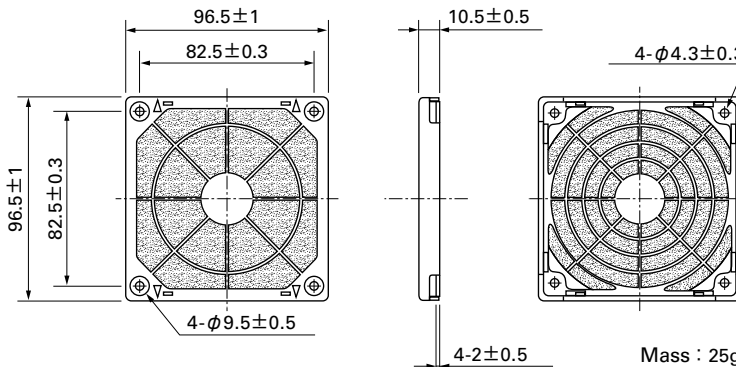
Model : 109-1001G



Mass : 12g

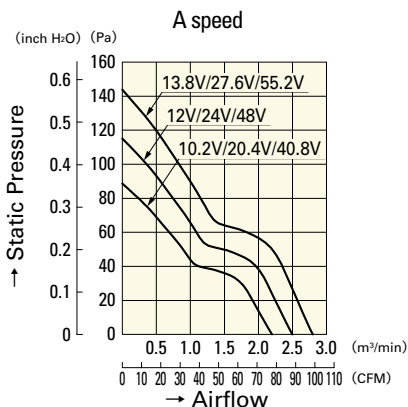
Resin Filter Kits

Model : 109-1001F13 (13PPI), 109-1001F20 (20PPI) : 109-1001F30 (30PPI), 109-1001F40 (40PPI)

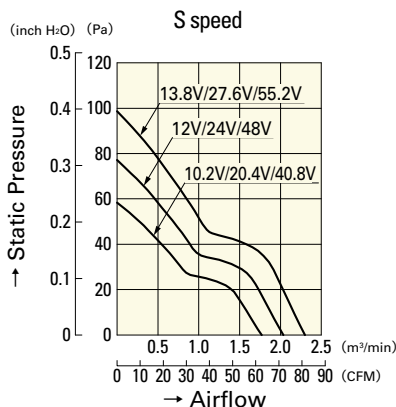


Mass : 25g

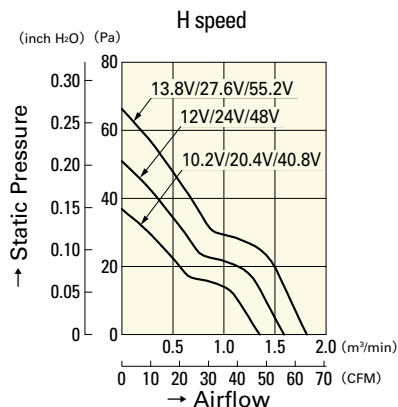
Airflow - Static Pressure Characteristics



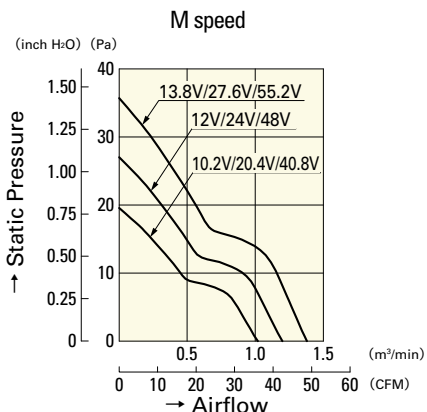
- 9G0912A201
- 9G0924A201
- 9G0948A201



- 9G0912S201
- 9G0924S201
- 9G0948S201



- 9G0912H201
- 9G0924H201
- 9G0948H201



- 9G0912M201
- 9G0924M201
- 9G0948M201