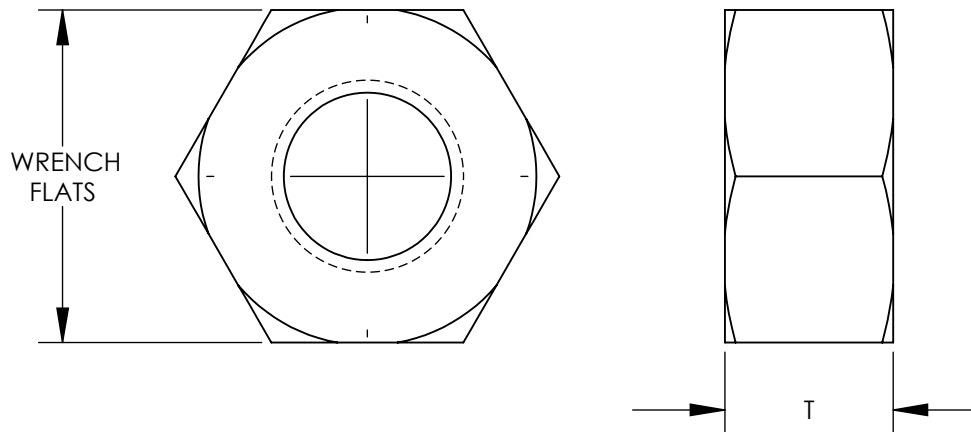



THIS COPY IS PROVIDED ON A RESTRICTED BASIS AND IS NOT TO BE USED IN ANY WAY DETRIMENTAL TO THE INTERESTS OF PANDUIT CORP.

NOTES:

1. PART NUMBERS: SSN1420, SSN3816
2. MATERIAL: STAINLESS STEEL
3. DIMENSIONS IN PARENTHESIS ARE MILLIMETERS

PANDUIT PART NUMBER	SIZE	WRENCH FLATS	T	QUANTITY
SSN1420-C	1/4"-20	7/16" [11mm]	7/32" [0.8 mm]	100
SSN3816-C	3/8"-16	9/16" [14mm]	5/16" [8mm]	100



02	12/16	JHNU	JHNU	VOIDED DRAWING, PARTS MOVED TO 15J350BG-DC	N11000BL-C41733	RGB	RGB				
01	5/08	JHNU	JHNU	ADDED SIZE COLUMN TO TABLE							
00	5/08	JHNU	JHNU	DRAWING RELEASED							
REV	DATE	BY	CHK	DESCRIPTION	ECN	-R	SUP	DRAWN BY JHNU	CHK'D	SCALE NONE	DRAWING NO / CAD FILE C41733

STAINLESS STEEL HEX NUT
(SSN1420-C, SSN3816-C)
CUSTOMER DRAWING