

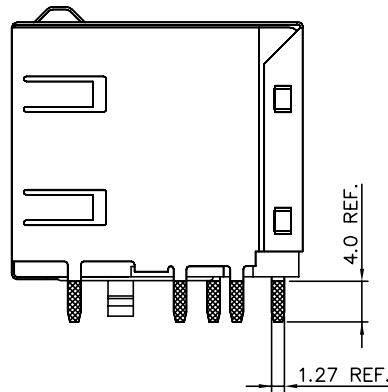
mat'l. code		surface		tolerance		projection		product family	
		ISD1302 ✓		ISD1101 ISD406				MOD JACK	
ltr ecn nodr		date		tolerances unless otherw		wisely specified		title	
F	T03-0443	WL	10/06/03	angle		0.X±0.3		mm scale 2.0	
G	N05-0018	YS	01/25/05	line		0.XX±0.15			
H	N08-0100	SH	09/25/08	0'±2'		0.XXX±0.05			
J	N08-0273	SH MMQ	12/25/08	dr	CATHY LIN	05/26/98			
K	ELX-N-010710	SH MMQ	3/14/12	engr	TONY CHIEN	05/26/98			
				chr	TONY CHIEN	05/26/98			
				appd	JENN TSAO	05/26/98	dwg no		sheet 1 of 2
sheet		revision		k		k		74633	
index		sheet		1		2		A4	
								type Product Customer Drawing	

PRODUCT NO.	PORT NUMBERS	DIM.A±0.35	DIM.B±0.15	PACKAGING	REMARKS	PLATING
74633-004-R 74633-004-RLF 74633-004-RHLF	4x2	58.92	53.34	USING TRAY	AVAILABLE	5u" Au + high performance lubricant
74633-304-R 74633-304-RLF 74633-304-RHLF						5u" Au + high performance lubricant
74633-504-R 74633-504-RLF 74633-504-RHLF						50 u" GXT

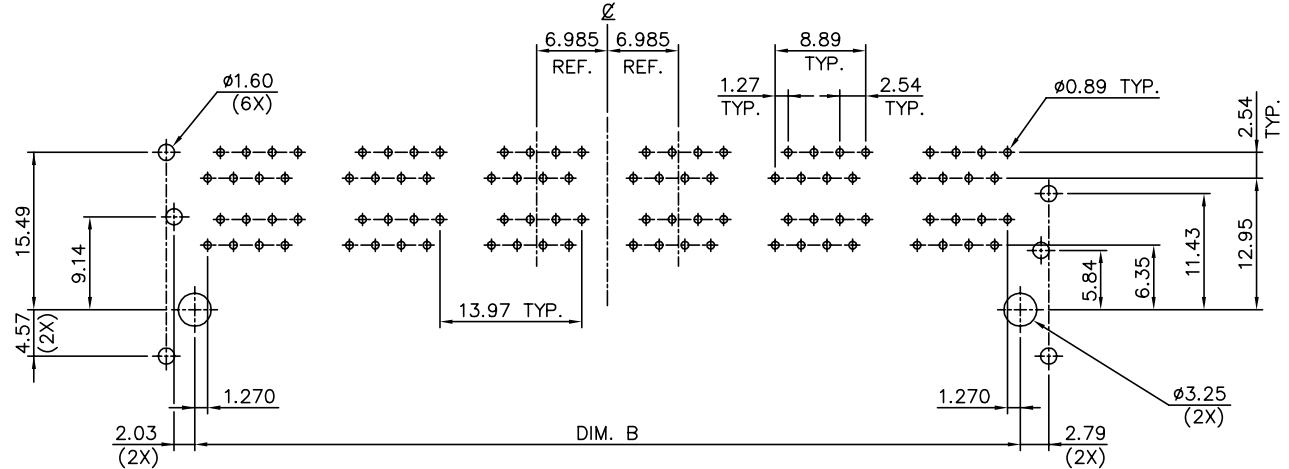
NOTES:

- RECOMMENDED P.C.B THICKNESS 1.60 MM
- HOUSING MAT'L: NYLON 6/6, 25% G.F.,UL 94V-0, COLOR - BLACK.
- CONTACTS: PHOS BRONZE ALLOY UNS-C51000, ϕ 0.460 ROUND WIRE, PLATING SEE TABLE.
- SHIELDING MATERIAL: 0.25MM THICK, BRASS ALLOY. SHIELDING PLATING: 30u" NICKEL PRE-PLATED AND WITH POST SOLDER DIP ON GROUNDING LEGS AS DETAIL C (IF LF P/N WITH POST PURE TIN SOLDER DIP).
- IF LF P/N THE PRODUCT MEETS EUROPEAN UNION DIRECTIVES AND OTHER COUNTRY REGULATIONS AS DESCRIBED IN GS-22-008.
- THE HOUSING WILL WITHSTAND EXPOSURE TO 260°C PEAK TEMPERATURE FOR 10 SECONDS IN A WAVE SOLDER APPLICATION WITH A 1.60mm MINIMUM THICK CIRCUIT BOARD.
- IF LF P/N PACKAGING MEETS GS-14-920 SPECIFICATION.
- EQUIVALENT THICKNESS Au AND GXT PLATING HAVE SAME FUNCTION AND THEY ARE ALTERNATIVE BY THE CUSTOEMR.

LEAD FREE PRODUCT NO.
MEETS PIP PROCESS PRODUCT NO.



DETAIL C
NOTE 4



RECOMMENDED P.C.B LAYOUT
COMPONENT SIDE

mat'l. code			surface ISO1302 ✓		tolerance ISO1101 ISO406		projection ISO 1101		product family MOD JACK	
l trechn nodr date			tolerances unless other		wise specified		mm		title	
F	T03-0443	WL	10/06/03	angle	0.X±0.3	mm		RJ45 DOUBLE DECK		
G	N05-0018	YS	01/25/05	0°±2'	0.XX±0.15	scale 2.0		GANG JACK ASSY		
H	N08-0100	SH	09/25/08	dr	0.XXX±0.05			dwg no		
J	N08-0273	SH MMD	12/25/08	enr	CATHY LIN	05/26/98	sheet 2 of 2		size	
K	ELX-N-010710	SH MMD	3/14/12	enr	TONY CHIEN	05/26/98	74633		A4	
			chr		TONY CHIEN	05/26/98	type		Product Customer Drawing	
			appd		JENN TSAO	05/26/98				
sheet index	revision sheet									