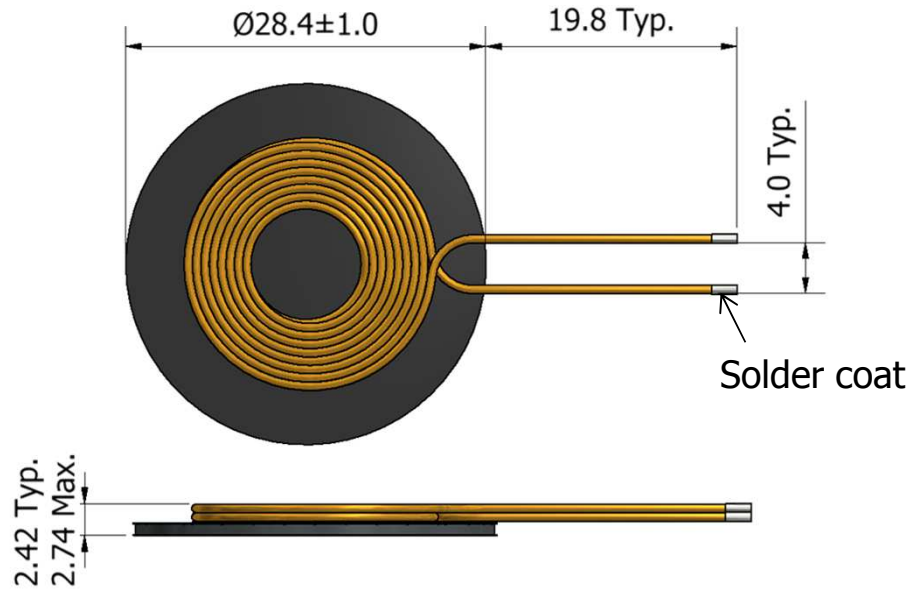
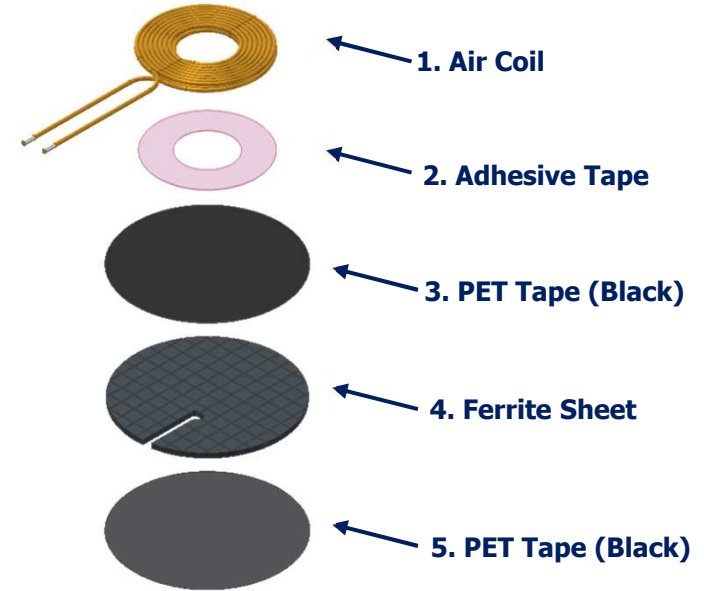


= Dimension of coil unit =



= Coil unit Assembly =



= Thickness information for stacking =

Unit : mm

Stack	TDK Item	Typ.	Max.
1	Coil+Resin	1.280	1.500
2	Adhesive Tape	0.135	0.142
3	PET Tape	0.050	0.053
4	Ferrite Sheet	0.900	0.990
5	PET Tape	0.050	0.053
Total Thickness		2.42	2.74

= Electrical Characteristics =

Items	Parameter	Specification
1	Inductance @100kHz	7.4 μ H Typ
2	Rs value @100kHz	0.11 ohm Typ