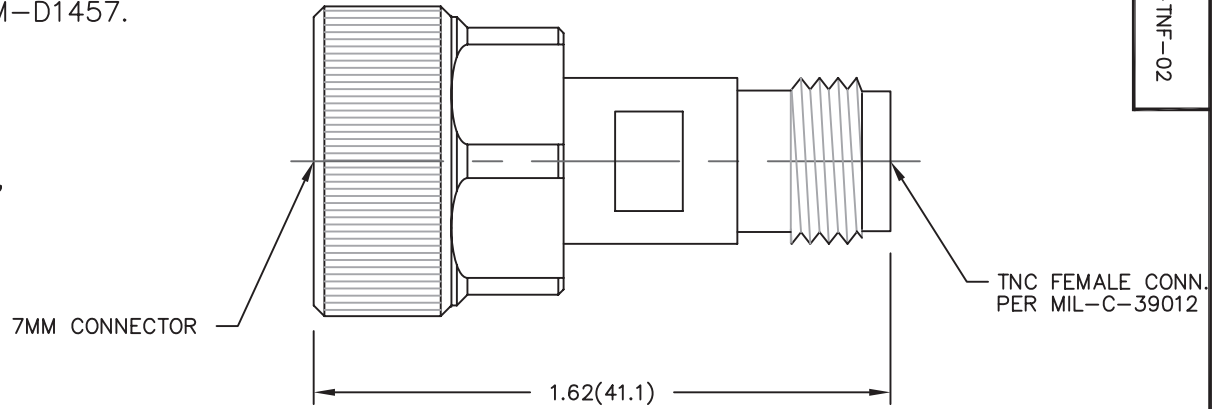


NOTES:


- 1.0 MATERIALS:
 - 1.1 HOUSING: STAINLESS STEEL PER ASTM-A582, TYPE 303.
 - 1.2 CENTER CONTACT: BERYLLIUM COPPER ROD ALLOY C172, PER ASTM-B194. ASTM-D1457.
 - 1.3 DIELECTRIC: PTFE FLUOROCARBON PER
- 2.0 PLATING:
 - 2.1 HOUSING: PASSIVATED PER MIL-F-14072 AND QQ-P-35
 - 2.2 CENTER CONTACT: GOLD PER MIL-G-45204, TYPE II, CLASS 2.
 - 2.3 7MM NUT: ELECTROPOLISH (BRIGHT POLISH)
- 3.0 ELECTRICAL SPECIFICATION:
 - 3.1 FREQUENCY RANGE: DC to 18.0 GHz
 - 3.2 VSWR (MAXIMUM): $1.02+0.006f(\text{GHz})$
- 4.0 DIMENSIONS IN PARENTHESIS ARE IN MILLIMETERS



MODEL NUMBER
ADT-2547-7M-TNF-02

DWG NO. WAS: 02717-01-00

| REV. | DESCRIPTION | DATE |
|------|------------------|---------|
| - | RELEASED | 1/28/81 |
| A | ECR 6545 | 6/30/89 |
| B | REDRAW ON CAD | 4/1/92 |
| B1 | ADDED TITLEBLOCK | 3/9/05 |

| | | | | |
|--|---|-------------------------------------|---|--------------|
| NOTICE: The information contained in this drawing is proprietary and must not be used without the permission of Cinch Connectivity Solutions. UNLESS OTHERWISE NOTED DIMENSIONS ARE IN INCHES AND TOLERANCES ARE: 3 PLACE DECIMALS ±.005 2 PLACE DECIMALS ±.02 FRACTIONS ±1/64 PARALLELITY: T.I.R. _____ FLATNESS: T.I.R. _____ CONCENTRICITY: T.I.R. _____ ANGLES AND PERPENDICULARITY: ±1° | CAGE CODE 34078 | MIDWEST MICROWAVE | | |
| |  | TITLE ADAPTER OUTLINE DRAWING | | |
| | DRAWN/DATE A.BEATTY 4/1/92 | ENG./DATE A..OSGA 4/15/92 | DRAWING NUMBER ADT-2547-7M-TNF-02-01 | REV. B1 |
| | CHECKED/DATE | APPROVED/DATE | SCALE: 5=1 | SHEET 1 of 1 |