

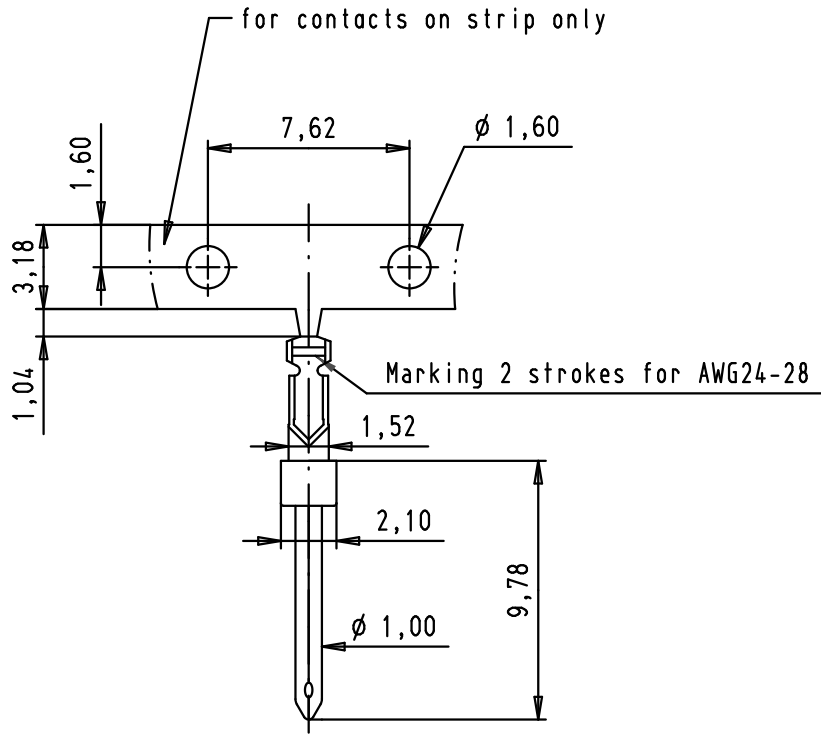
5

4

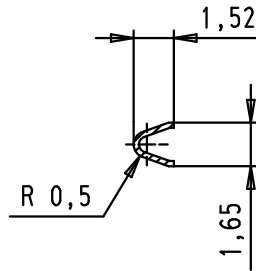
3

2

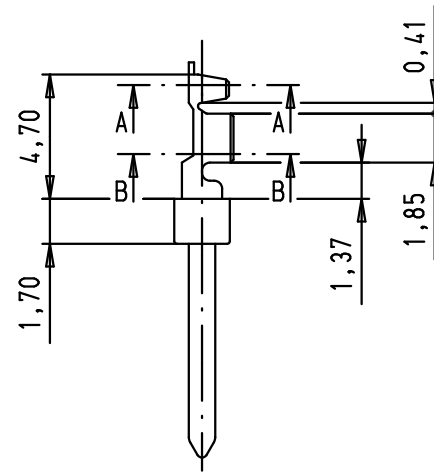
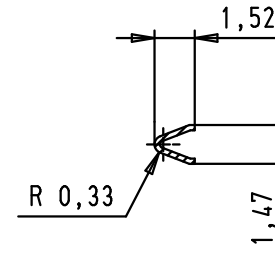
1



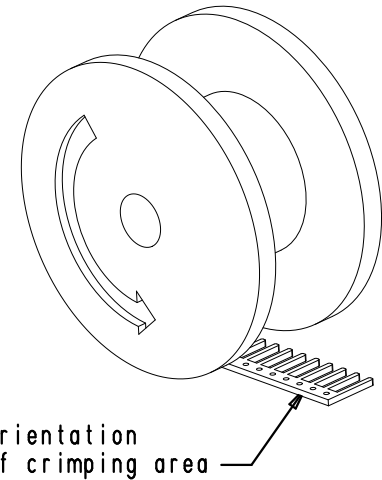
Section A-A



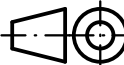

Section B-B



Reel unrolling left



Base material: brass
 Plating: sliding contact selective gold plated over nickel
 nickel plated crimp area
 Number of contacts per reel: 500

			Dat.	Name	 All Dim. in mm Orig. Size DIN A 4	
			Detail.	24/03/03		PP
			Insp.	13/01/12		JB
			Stand.			
36288	13/01/12	SD				
33937	01/03/07	PK				
31475	24/03/03	PP				
Mod.	Dat.	Name	HARTING EURL F-95972 Paris			

D-Sub, stamped male
 AWG 24-28 crimp contact,
 reel unrolling left

Maßstab/
 Scale
 3,5:1

09 67 000 7168	PL2
09 67 000 7167	PL3
09 67 000 7166	PL1
Part number	Performance level

TB 09 67 000 716X
 Sub.

Blatt/ Page
 1 / 1

D

C

B

A