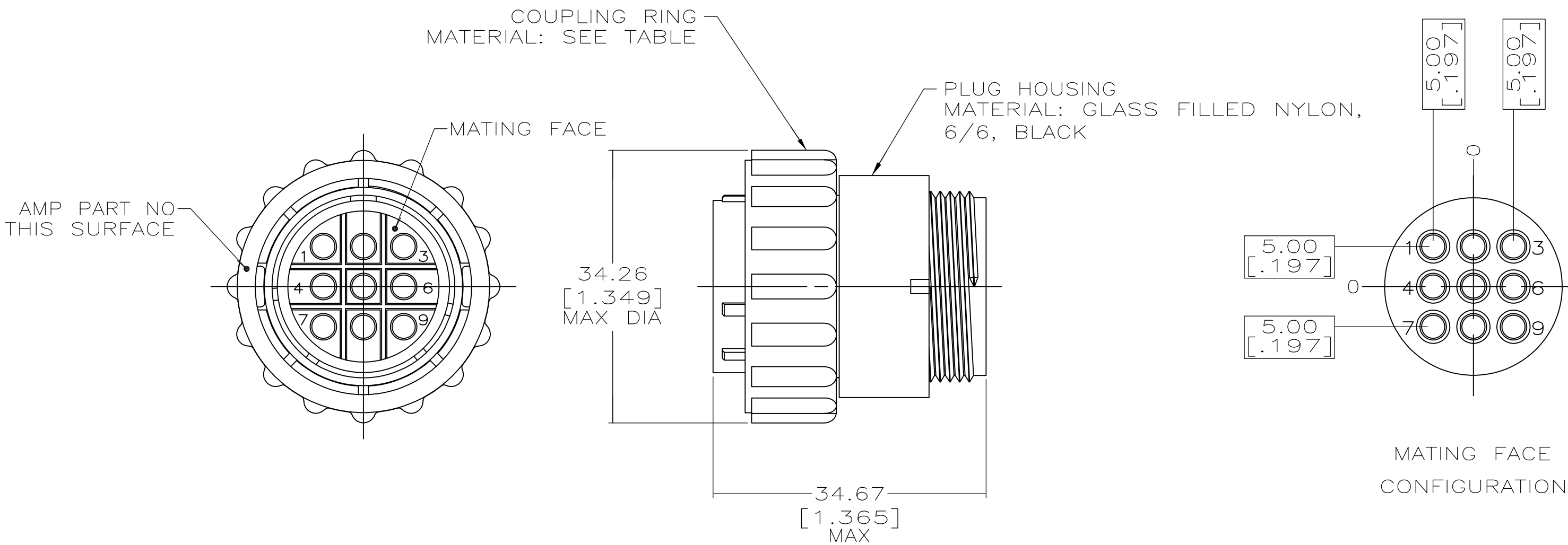


THIS DRAWING IS UNPUBLISHED. RELEASED FOR PUBLICATION
 © COPYRIGHT - By - ALL RIGHTS RESERVED.

LOC	DIST	REVISIONS					
FT	0	P	LTR	DESCRIPTION	DATE	DWN	APVD
			D3	REVISED PER ECO-11-004917	11MAR11	RK	HMR



- CONTACT CAVITIES IDENTIFIED BY CHARACTERS ON FRONT AND REAR FACES OF CONNECTOR.
- THIS PART WILL ACCEPT 9 MULTIMATE PIN CONTACTS.

SUPERSEDED BY 211768-1	DIE CAST ZINC	-211768-2
	POLYESTER, BLACK	211768-1
	COUPLING RING MATERIAL	PART NUMBER

THIS DRAWING IS A CONTROLLED DOCUMENT.		DWN	K.FOLTZ	06/29/94	STE TE Connectivity			
		CHK	R.STONE	06/30/94				
DIMENSIONS: mm [INCHES]		TOLERANCES UNLESS OTHERWISE SPECIFIED:			NAME			
		0 PLC	± -	PRODUCT SPEC				
		1 PLC	± -	APPLICATION SPEC				
MATERIAL		FINISH			SIZE	CAGE CODE	DRAWING NO	RESTRICTED TO
-		-			A3	00779	C-211768	-
CUSTOMER DRAWING					SCALE	2:1	SHEET	1 OF 1
					REV	D3		