

300mA, High PSRR, Tiny package, LDO Regulator

Features

- Input Voltage Range: 1.7V to 5.5V
- 300mA Guaranteed Output Current
- Stable with 0.47 μ F Ceramic Output Capacitors
- Low Dropout Voltage 150mV@150mA (Vout=2.8V)
- Low Quiescent Current 36 μ A
- High PSRR 75dB@1kHz
- Auto Output Discharge
- High Output Accuracy \pm 2% Initial Accuracy
- Thermal Shutdown and Current Limit Protection
- Operating Temperature Range: -40 $^{\circ}$ C to +85 $^{\circ}$ C
- Packaging (Pb-free & Green):
 - 4-pin UDFN 1mm \times 1mm
 - 4-pin UDFN 0.8mm \times 0.8mm

Description

PT7M8216 is a high accurate, low dropout voltage regulator with low noise, high ripple rejection and low current consumption.

PT7M8216 includes a reference voltage source, an error amplifier, a driver transistor, a current limit protection, a thermal protection and an internal phase compensator.

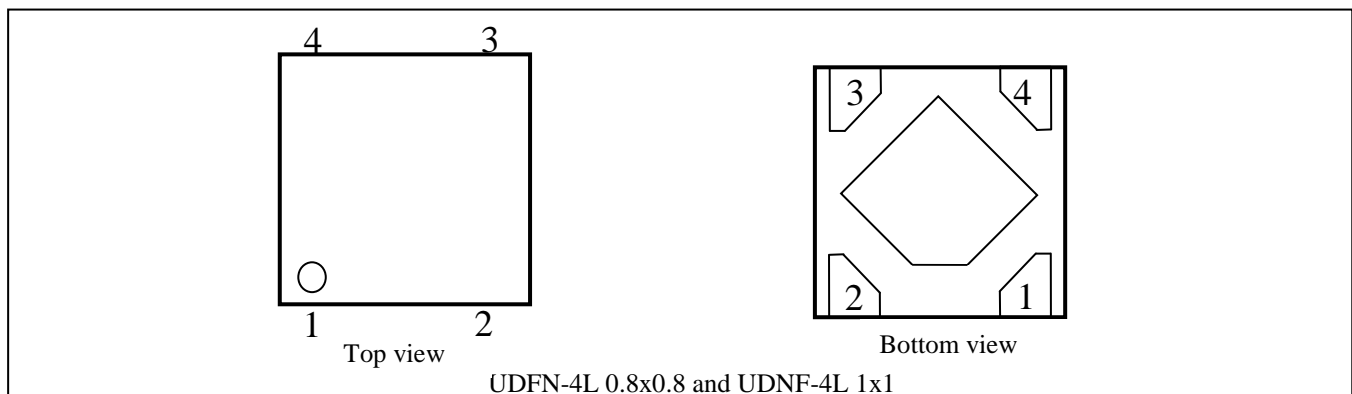
The output voltage for the regulator is set by factory trimming within a range of 0.9V to 3.3V in 100mV step includes 2.85V. PT7M8216 is stable with low ESR ceramic capacitors.

PT7M8216 is available in a 1mm \times 1mm UDFN-4L and 0.8mm \times 0.8mm UDFN-4L packages. It operates over a temperature range of -40 to +85 $^{\circ}$ C.

Applications

- Cell Phones
- Mobile Phones (PDC, GSM, CDMA, IMT2000 etc.)
- Cordless Phones and Radio Communication
- Digital Still Cameras and Video Cameras
- PDA
- MP3 Players
- Portable Devices

Pin Assignment



Pin Description

Pin No	I/O	Pin Name	Description
4	I	VIN	Regulator Supply Input. Supply voltage can range from 1.7V to 5.5V. Bypass with a 0.47 μ F ceramic capacitor (X5R/X7R) to GND.
2	P	GND	Ground.
3	I	EN	ON/OFF Control of Regulator. High active.
5	-	NC	This pin is better to be connected to the GND, but leaving it open is also acceptable
1	O	VOUT	Output of Regulator. Bypass with a 0.47 μ F ceramic capacitor (X5R/X7R) to GND.

Maximum Ratings

Storage Temperature.....	-55°C to +125°C
Ambient Temperature with Power Applied.....	-40°C to 85°C
Input Voltage	+6.0V
Output Voltage	-0.3 to V _{CC} +0.3V
EN pin Voltage	+6.0V
DC Input/Output Current	700mA
Power Dissipation.....	UDFN-4L 1x1 400mW UDFN-4L 0.8x0.8 280mW

Note:

Stresses greater than those listed under MAXIMUM RATINGS may cause permanent damage to the device. This is a stress rating only and functional operation of the device at these or any other conditions above those indicated in the operational sections of this specification is not implied. Exposure to absolute maximum rating conditions for extended periods may affect reliability.

Recommended Operating Conditions

Symbol	Parameter	Conditions	Min.	Typ.	Max.	Unit
V _{IN}	Operating Voltage	-	1.7	-	5.5	V
V _{EN}	Control Input Voltage	-	0	-	5.5	V
T _A	Operating Temperature	-	-40	25	85	°C

DC Electrical Characteristics

(T_A = 25°C, V_{IN} = V_{OUT} + 1V for V_{OUT} options greater than 1.5V. V_{IN} = 2.5V for V_{OUT} ≤ 1.5V, unless otherwise noted.)

Parameter	Symbol	Conditions	Min.	Typ.	Max.	Unit
Output Voltage	V _{OUT(E)} *	V _{IN} =V _{OUT(S)} * +1.0V, I _{OUT} =30mA	V _{OUT(S)} * 0.98	V _{OUT(S)}	V _{OUT(S)} * 1.02	V
Input Voltage	V _{IN}	-	1.7	-	5.5	V
Maximum Output Current	I _{OUTMAX}	V _{IN} =V _{OUT(S)} +1.0V	300	-	-	mA
Dropout Voltage	V _{DIF} *	I _{OUT} = 150mA	2.8V ≤ V _{OUT(S)}	-	150	-
			V _{OUT(S)} ≤ 2.7V	-	180	-
Supply Current	I _{SS}	V _{IN} = V _{OUT(S)} + 1.0V, no load	-	36	65	μA
Standby Current	I _{STB}	V _{IN} = V _{OUT(S)} + 1.0V, EN=GND	-	0.05	1	μA
Line Regulation	$\frac{\Delta V_{OUT}}{\Delta V_{IN}} * V_{OUT}$	V _{OUT(S)} +1.0V ≤ V _{IN} ≤ 5.5V, I _{OUT} =30mA	-	0.02	0.2	%/V
Load Regulation	ΔV _{OUT2}	V _{IN} = V _{OUT(S)} +1.0V, 1.0mA ≤ I _{OUT} ≤ 150mA	-	10	30	mV
Output Voltage Temperature Characteristic	$\frac{\Delta V_{OUT}}{\Delta T_{opr}} * V_{OUT}$	I _{OUT} =30mA, -40°C ≤ T _{opr} ≤ 85°C	-	+/-100	-	ppm/°C
Ripple Rejection	PSRR	V _{IN} =[V _{OUT(S)} +1.0]V _{DC} +0.2Vp-p AC I _{OUT} =30mA, f=1kHz (In case that V _{out} ≤ 2.0V, V _{IN} =3.0V)	-	75	-	dB
Current Limit	I _{LIM}	V _{OUT} = V _{OUT(S)} * 0.9	-	400	-	mA
Short Current Limit	I _{SC}	V _{out} =0V	-	40	-	mA
Thermal Shutdown	TSD	-	-	170	-	°C
Thermal Shutdown Hysteresis	ΔTSD	-	-	20	-	
EN "High" Voltage	V _{ENH}	-	1.2	-	-	V
EN "Low" Voltage	V _{ENL}	-	-	-	0.3	
EN "High" Current	I _{ENH}	V _{IN} =V _{OUT(S)} +1.0V	-0.10	-	0.10	μA
EN "Low" Current	I _{ENL}	V _{IN} = V _{OUT(S)} +1.0V, EN=OFF	-0.10	-	0.10	
Output Discharge Resistance	R _{dis}	V _{IN} = 4.0V, EN=OFF	-	50	-	Ω
Output Voltage Noise	V _N	C _{OUT} =0.47 μF, 10Hz to 100kHz	-	60	-	μVrms

Note:

*1: V_{OUT(S)}=Specified output voltage

*2: V_{OUT(E)}=Effective output voltage

(I.e. the output voltage when "V_{OUT(S)}+1.0V" is provided at the V_{IN} pin while maintaining a certain I_{OUT} value).

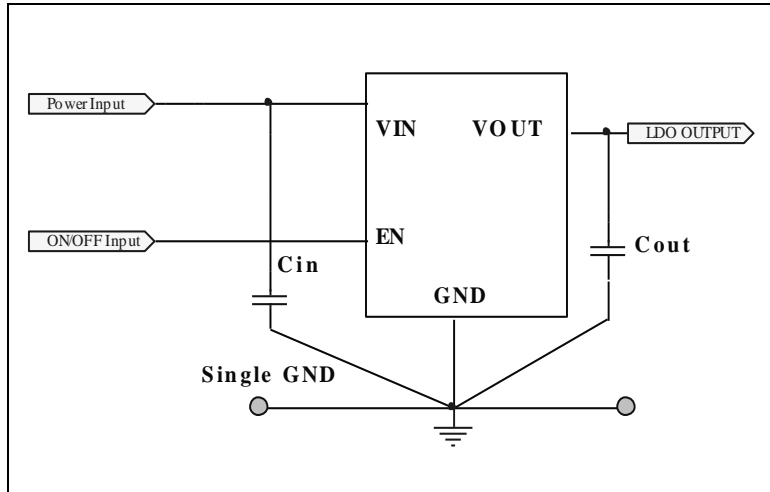
3: V_{DIF}={ V_{IN1}() - V_{OUT1}(*) }

*4: V_{OUT1}=A voltage equal to 98% of the output voltage whenever an amply stabilized I_{OUT} {V_{OUT(S)}+1.0V} is input.

*5: V_{IN1}=The input voltage when V_{OUT1} appears as input voltage is gradually decreased.

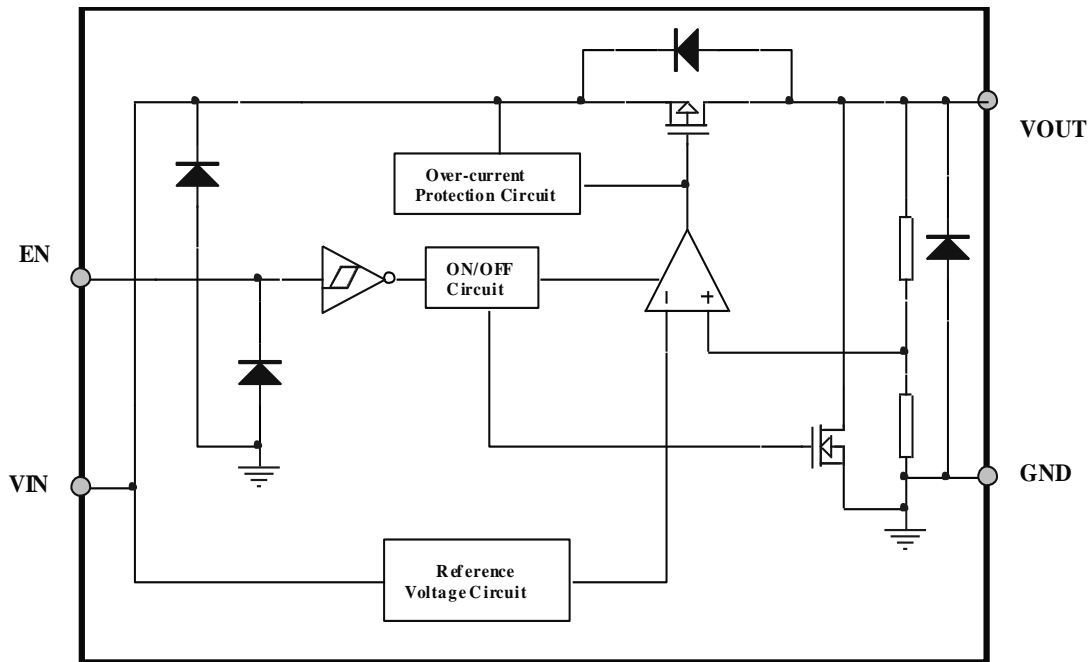
*6: Unless otherwise stated, V_{IN}=V_{OUT(S)} +1.0V

Application Circuits



Note: Cin and Cout are 0.47 μ F low ESR ceramic capacitors

Block Diagram



Functional Description (Refer to Block Diagram)

Output Voltage

The divided output voltage is compared with the internal reference voltage by the error amplifier with internal phase compensator. The output of the error amplifier then drives the P-channel MOSFET to maintain a stable and constant output voltage.

Low ESR Capacitors

The internal phase compensator maintains the stable output voltage with low ESR ceramic input and output capacitors. 0.47 μ F low ESR (X5R/X7R) ceramic capacitor located as close as possible to the IC's pins is recommended.

Current Limit and Thermal Shutdown Protections

Current limit protection is used to limit the output current when an overload condition occurs. As a result, the output voltage will drop. Thermal shutdown protection will turn off the output to reduce the power dissipation when the operation junction temperature exceeds 170 °C.

EN Pin

The output of the regulator in PT7M8216 can be controlled with EN pin. The EN pin should be connected to a "VIN" or a "GND" voltage as a floating input applied to inverter input of the enable circuitry will increase the current consumption.

NOTE ON USE

Please use this IC within the stated absolute maximum ratings.

Where wiring impedance is high, operations may become unstable due to noise and/or phase lag depending on output current.

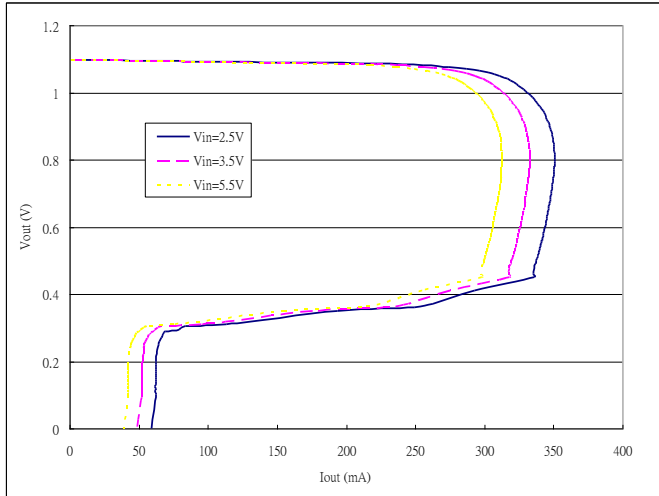
Please keep the resistance low between VIN and GND wiring in particular.

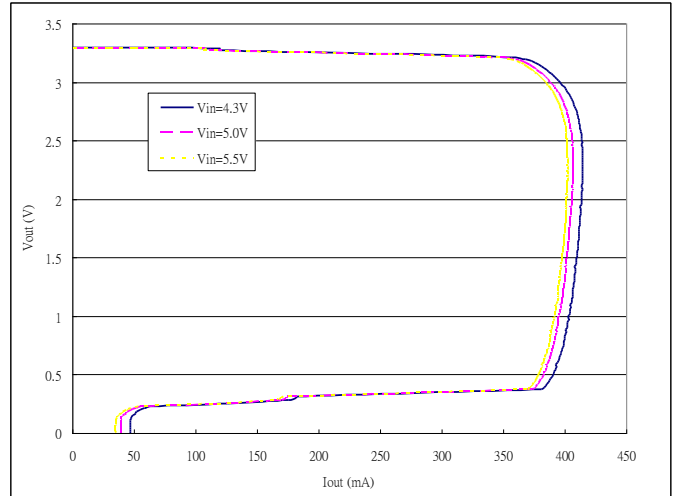
Please wire the input capacitor (Cin) and the output capacitor (Cout) as close to the IC as possible.

Typical Performance Characteristics

1. Output Voltage vs. Output Current

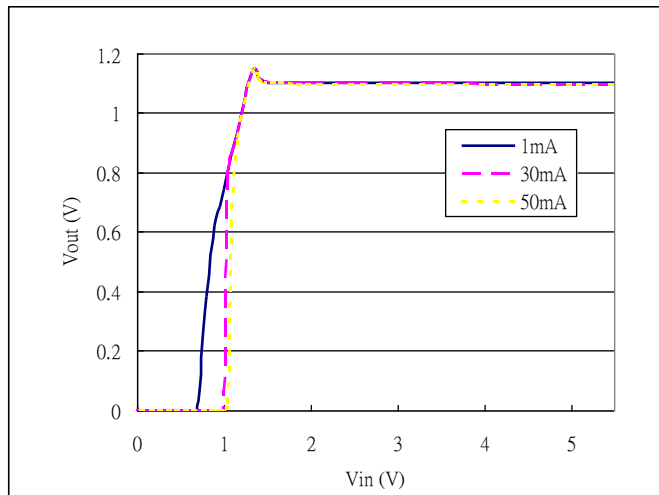
PT7M8216B (1.1V)

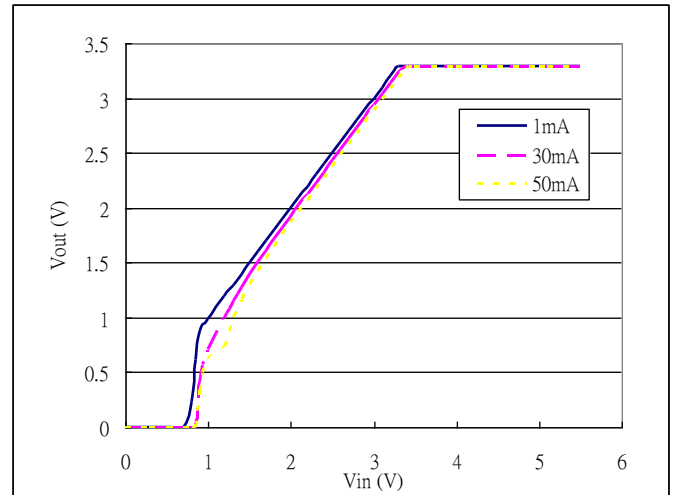
 Cin=0.47 μ F(Ceramics), Cout=0.47 μ F(Ceramics), T_A=25 $^{\circ}$ C

PT7M8216B (3.3V)

 Cin=0.47 μ F(Ceramics), Cout=0.47 μ F(Ceramics), T_A=25 $^{\circ}$ C


2. Output Voltage vs. Input Voltage

PT7M8216 (1.1V)

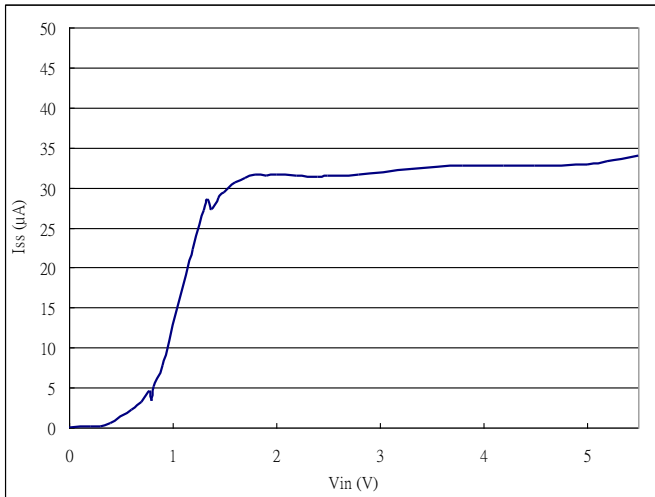
 Cin=0.47 μ F(Ceramics), Cout=0.47 μ F(Ceramics), T_A=25 $^{\circ}$ C

PT7M8216B (3.3V)

 Cin=0.47 μ F(Ceramics), Cout=0.47 μ F(Ceramics), T_A=25 $^{\circ}$ C


3. Supply Current vs. Input Voltage
PT7M8216 (1.1V)

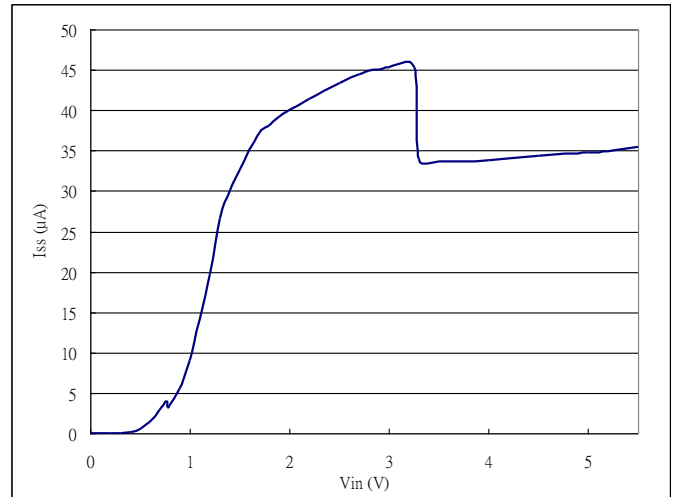
Vin=2.5V

Cin=0.47 μF(Ceramics), Cout=0.47 μF(Ceramics), TA=25 °C


PT7M8216B (3.3V)

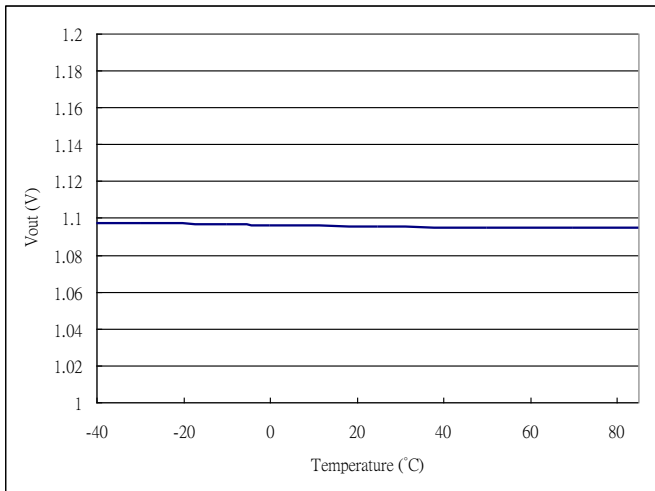
Vin=4.3V

Cin=0.47 μF(Ceramics), Cout=0.47 μF(Ceramics), TA=25 °C


4. Output Voltage vs. Ambient Temperature
PT7M8216 (1.1V)

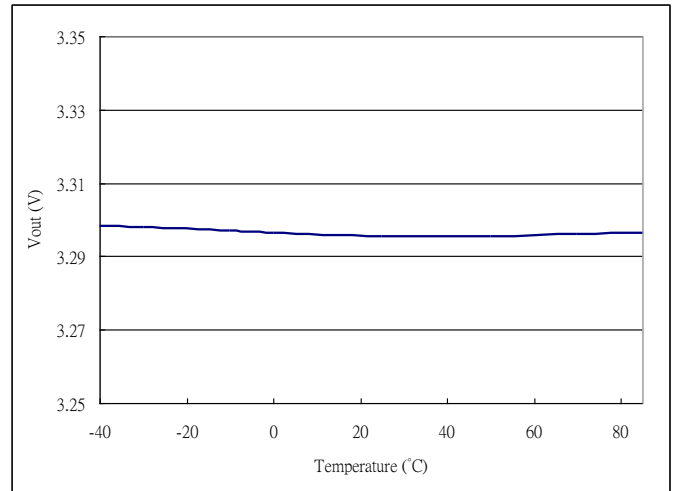
Vin=2.5V, IOUT=30mA

Cin=0.47 μF(Ceramics), Cout=0.47 μF(Ceramics), TA=25 °C


PT7M8216B (3.3V)

Vin=4.3V, IOUT=30mA

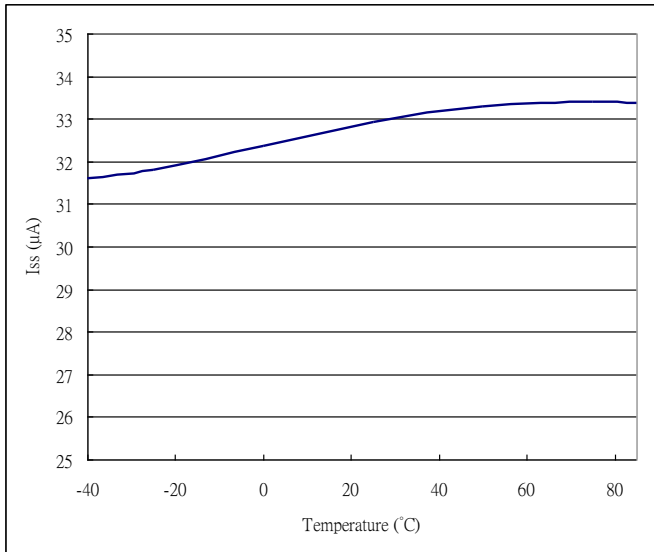
Cin=0.47 μF(Ceramics), Cout=0.47 μF(Ceramics), TA=25 °C



5. Supply Current vs. Ambient Temperature
PT7M8216 (1.1V)

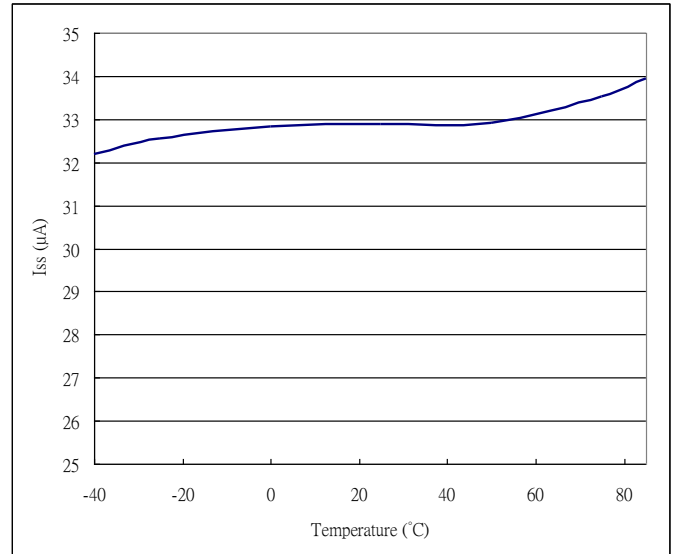
Vin=2.5V

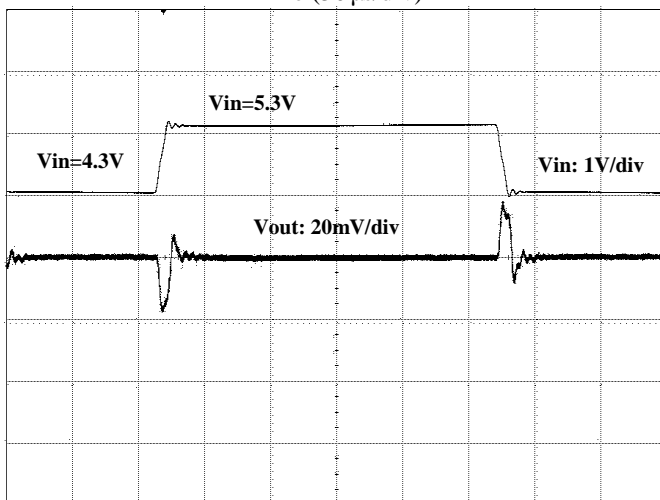
Cin=0.47 μF(Ceramics), Cout=0.47 μF(Ceramics), TA=25 °C

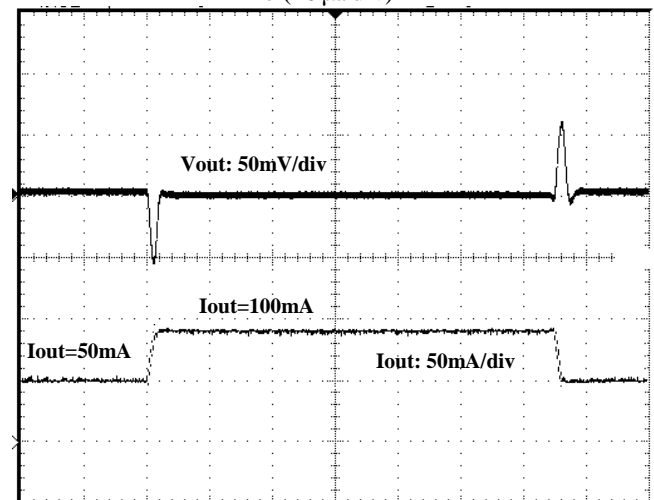

PT7M8216B (3.3V)

Vin=4.3V

Cin=0.47 μF(Ceramics), Cout=0.47 μF(Ceramics), TA=25 °C


6. Line Transient Response
PT7M8216B (3.3V)

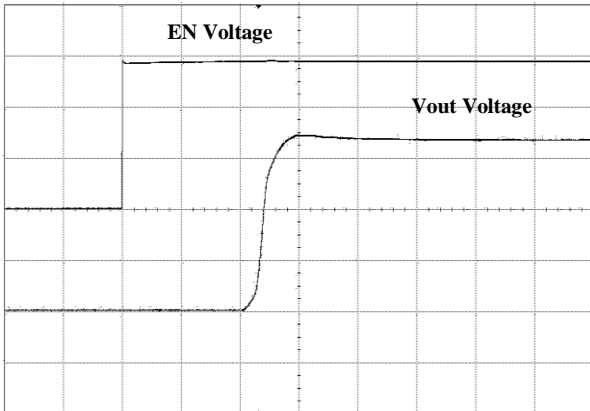
 Cin=0.47 μF(Ceramics), Cout=0.47 μF(Ceramics), TA=25 °C
 Time (50 μs/div)

7. Load Transient Response
PT7M8216B (3.3V)

 Cin=0.47 μF(Ceramics), Cout=0.47 μF(Ceramics), TA=25 °C
 Time (40 μs/div)


8. Turn On Speed with EN pin

PT7M8216B (3.3V)

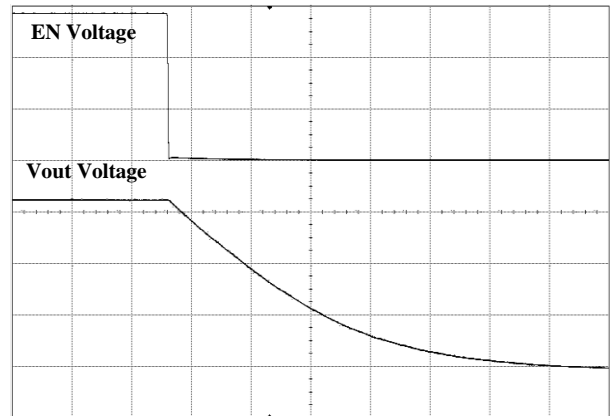
Cin=0.47 μF(Ceramics), Cout=0.47 μF(Ceramics), TA=25 °C
Time (20 μs/div)



9. Turn Off Speed with EN pin

PT7M8216B (3.3V)

Cin=0.47 μF(Ceramics), Cout=0.47 μF(Ceramics), TA=25 °C
Time (20 μs/div)

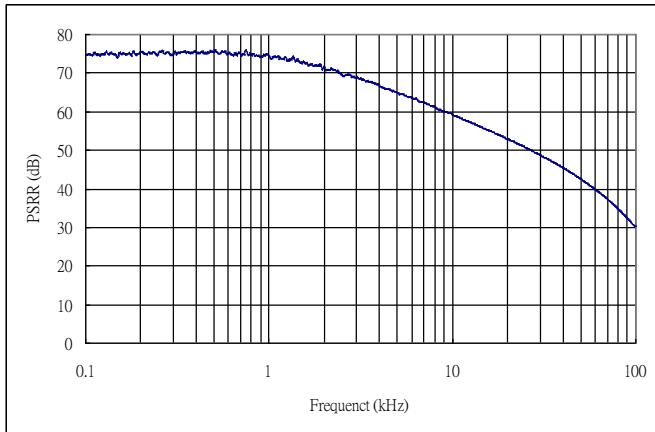


10. PSRR

PT7M8216 (0.9V)

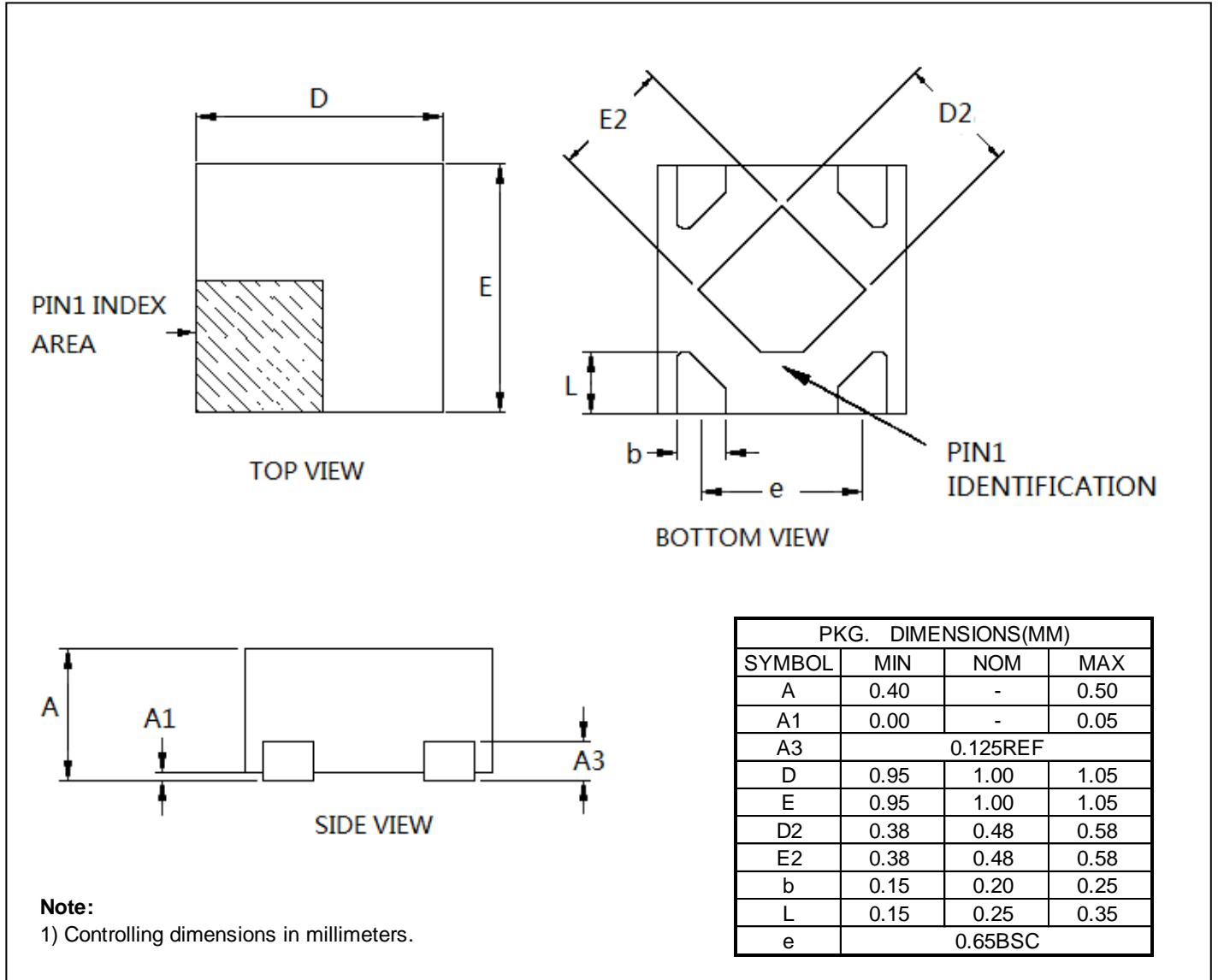
Vin=3.0V DC+0.2Vp-pAC

Cout=0.47uF(Ceramics), Iout=30mA

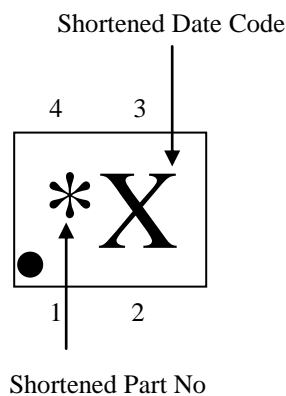


Mechanical Information

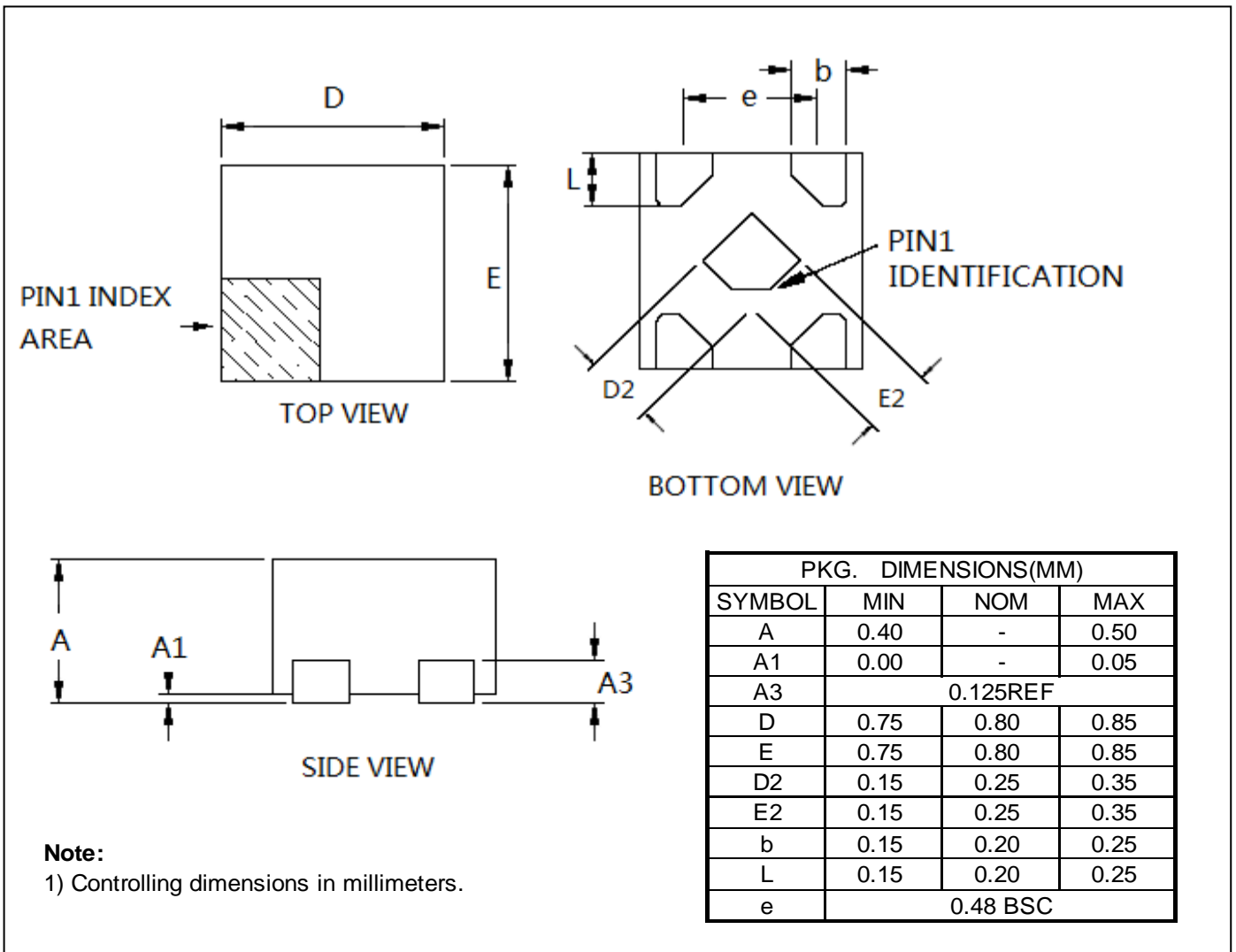
4-pin UDFN 1mmx1mm



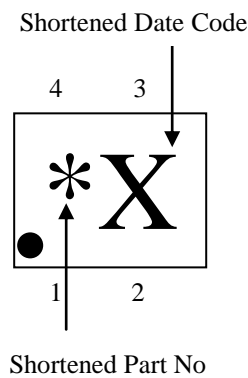
Marking Description



4-pin UDFN 0.8mmx0.8mm



Marking Description



Ordering Information

Part Number	Package Code	Package	Top Marking
PT7M8216B①②XZE	XZ	Lead Free and Green UDFN-4 1mmx1mm (XZ)	See below Table1
PT7M8216B①②XYE	XY	Lead Free and Green UDFN-4 0.8mmx0.8mm (XY)	See below Table1

Notes:

- E = Pb-free and Green
- Adding X Suffix= Tape/Reel
- “B” of PT7M8216B①② means high active for control pin “EN”
- “①②” refer to different output voltage. See below Table1
- Contact Pericom for availability.

Table1 Sequential Number Description

Designator ①②	VOUT (V)	Top Marking	Designator ①②	VOUT (V)	Top Marking	Designator ①②	VOUT (V)	Top Marking
09	0.9	j	18	1.8	-	27	2.7	-
10	1.0	-	19	1.9	-	28	2.8	n
11	1.1	k	20	2.0	-	29	2.9	-
12	1.2	m	21	2.1	-	30	3.0	p
13	1.3	-	22	2.2	-	31	3.1	-
14	1.4	-	23	2.3	-	32	3.2	-
15	1.5	-	24	2.4	-	33	3.3	q
16	1.6	-	25	2.5	-	2A	2.85	-
17	1.7	-	26	2.6	-			-

Pericom Semiconductor Corporation • 1-800-435-2336 • www.pericom.com

Pericom reserves the right to make changes to its products or specifications at any time, without notice, in order to improve design or performance and to supply the best possible product. Pericom does not assume any responsibility for use of any circuitry described other than the circuitry embodied in Pericom product. The company makes no representations that circuitry described herein is free from patent infringement or other rights, of Pericom.