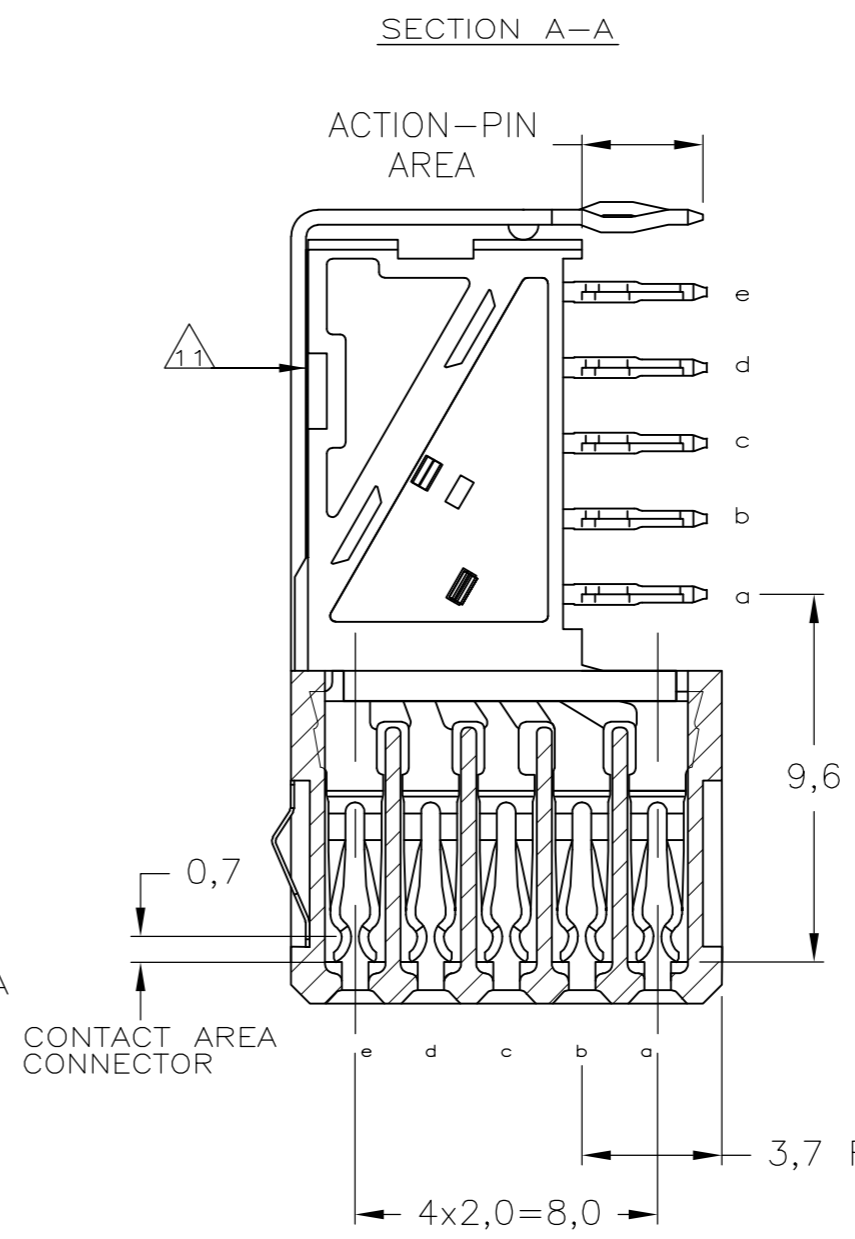
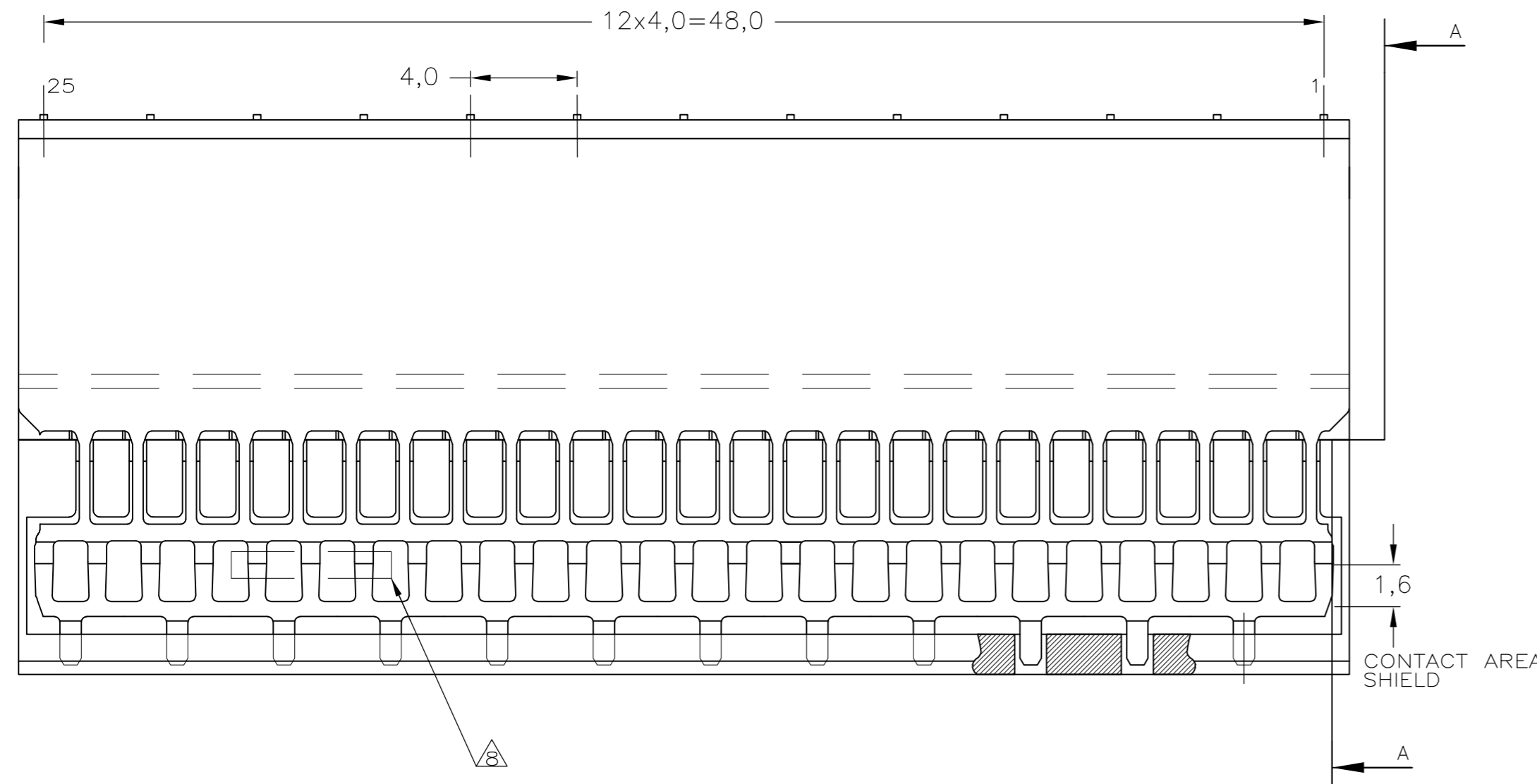
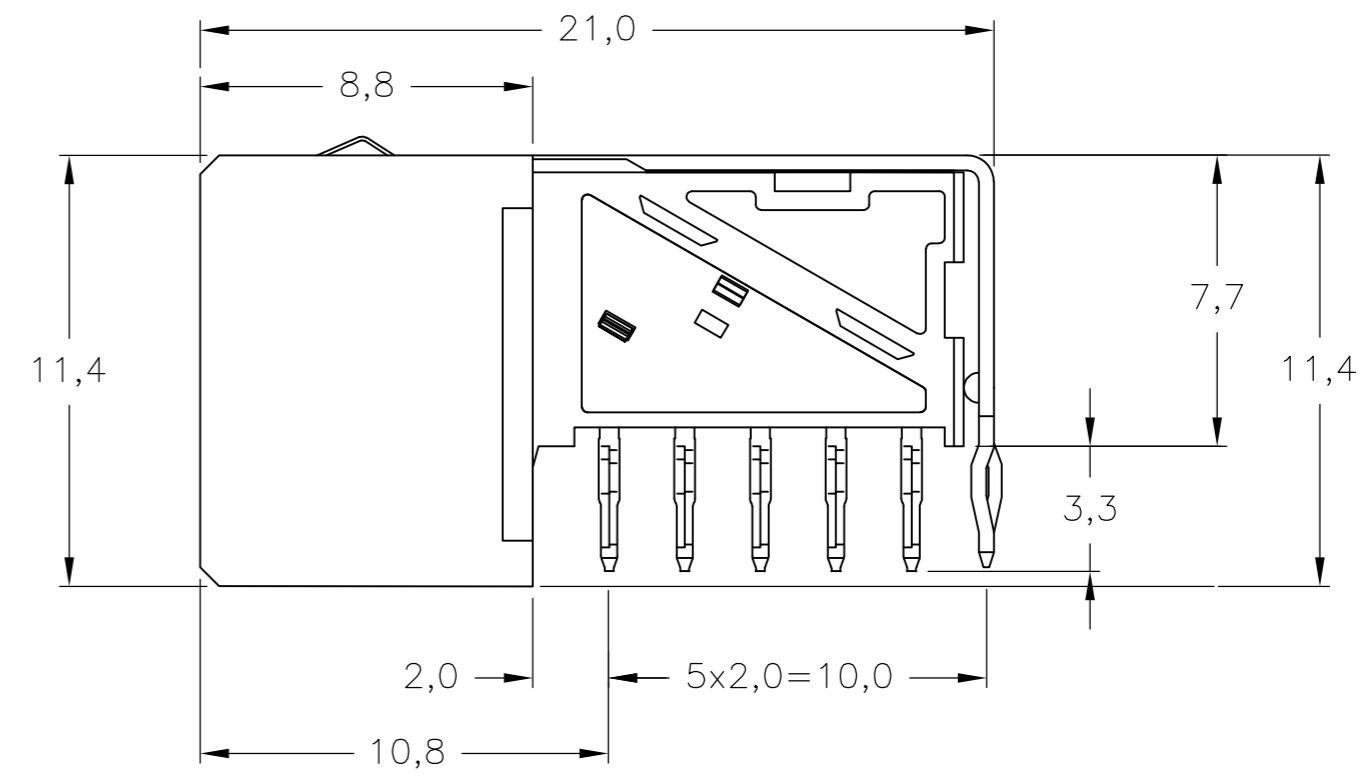
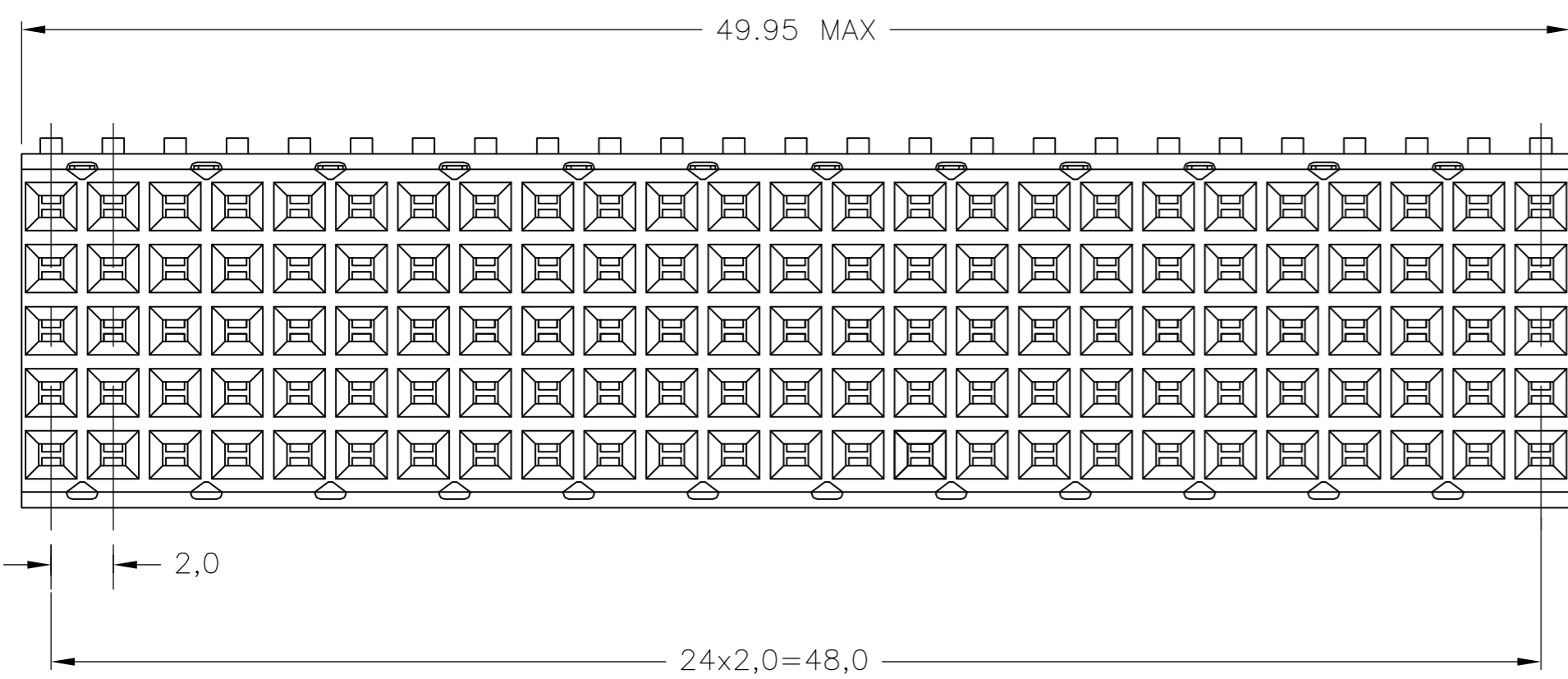


THIS DRAWING IS UNPUBLISHED. RELEASED FOR PUBLICATION
 © COPYRIGHT - By - ALL RIGHTS RESERVED.

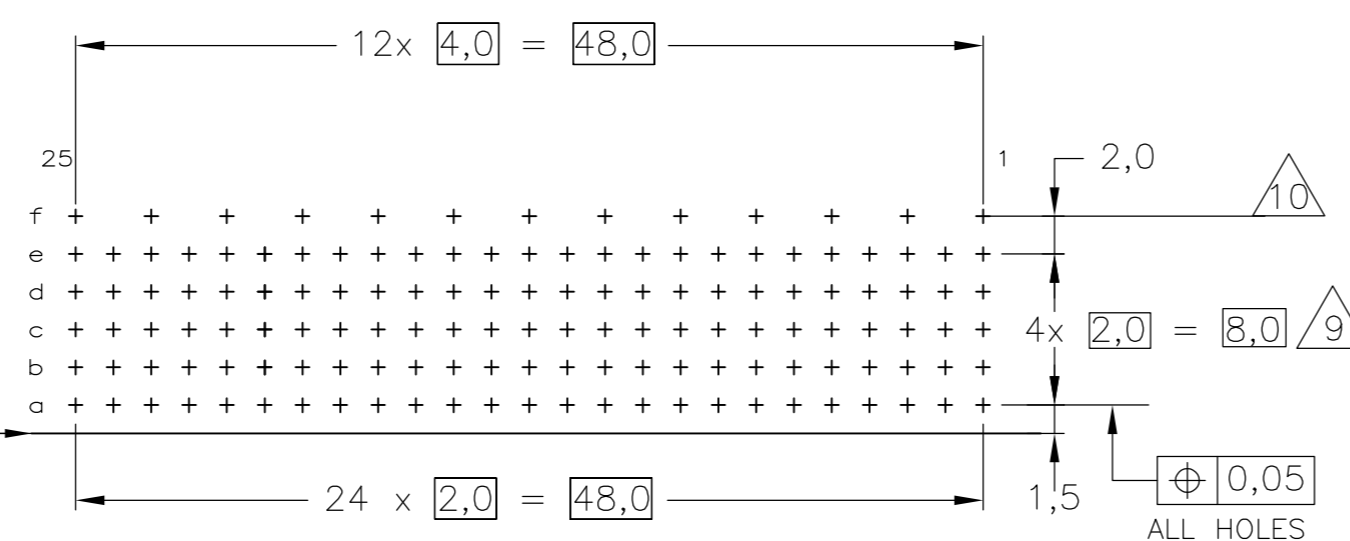
LOC		DIST		REVISIONS			
P	LTR	DESCRIPTION	DATE	DWN	APVD		
E		REVISED PER ECR-12-015815	09SEP2012	AZ	AC		



- NOTES:
- 1 MATERIAL CONTACTS; PHOSPHORBRONZE
MATERIAL HOUSING; GLASSFILLED POLYESTER (GRAY)
 - 2 GENERAL PLATING SPECIFICATION: UNDERPLATING (ENTIRE CONTACT): 1,27µm NICKEL MIN. AND ACTION PIN: 0,5µm TIN MIN. FOR PLATING OF MATING SURFACES SEE APPLICABLE SPECIFICATION REFERENCE FOR EACH DASH NUMBER.
 - 3 CONFORMS TO ALL TESTING ACCORDING IEC 61076-4-101 PERFORMANCE LEVEL 2.
 - 4 CONFORMS TO ALL TESTING ACCORDING IEC 61076-4-101 PERFORMANCE LEVEL 1.
 - 5 CONNECTOR TESTED AND QUALIFIED AGAINST TELCORDIA GR-1217-CORE QUALITY LEVEL III, CENTRAL OFFICE APPLICATIONS.
 - 6 CONNECTOR LUBRICATED WITH TELCORDIA APPROVED LUBRICANT.
 - 7 PLATING SHIELD:
CONTACT AREA : 0,76µm Au MIN.
ACTION PIN : 0,5µm Sn MIN.
REMAINDER : Ni
 - 8 ASSEMBLY PRINTED WITH P/N AND DATECODE
THE MARKING CAN APPEAR ON THE FRONT SIDE OR BACK SIDE.
 - 9 HOLE PATTERN FOR FEMALE CONNECTOR TYPE B
125 PLATED-THROUGH HOLES AT 2x2mm SQUARE GRID
 - 10 ROW "r" 13 PLATED THROUGH HOLES FOR UPSHIELD
 - 11 SHIELD MOUNTED ON CONNECTOR WITH DOUBLE SIDED ADHESIVE TAPE OR ADHESIVE
 - 12 BASIC P.N. LOWERSHIELD: 5338110
 - 13 0.76µm MIN GOLD PLATING AT MATING SURFACE.



COMPONENT SIDE AS SHOWN
RECOMMENDED PCB-HOLE LAY-OUT
SCALE 2,5:1

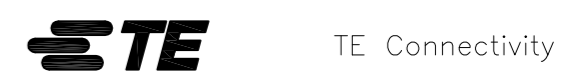


P.C.B. HOLE DIM. ACTION PIN
FOR DETAILS SEE
APPLICATION SPECIFICATION

THIS DRAWING IS A CONTROLLED DOCUMENT.

DIMENSIONS:	TOLERANCES UNLESS OTHERWISE SPECIFIED:
mm	±0.2
MATERIAL	FINISH
-	-

DWN	17AUG2004	K.N.KIRAN	
CHK	24SEP2004	B.MOOIJ	
APVD	24SEP2004	B.MOOIJ	
PRODUCT SPEC	108-19082	APPLICATION SPEC	
WEIGHT	114-19029	CUSTOMER DRAWING	
SIZE	A2	CAGE CODE	00779
DRAWING NO	C=5352069		RESTRICTED TO
SCALE	5:1	SHEET	1 of 1
REV	E		



Z-PACK 2mm HM
TYPE B - 25 COLUMNS
PRE-SHIELDED RECEPTACLE

5352069