

4

3

2

1

THIS DRAWING IS UNPUBLISHED.

RELEASED FOR PUBLICATION

20

© COPYRIGHT 20 BY -

ALL RIGHTS RESERVED.

REVISIONS

P	LTR	DESCRIPTION	DATE	DWN	APVD
A		INITIAL RELEASE	16DEC2014	DW	CW
B		ECR-15-013750	19SEP2015	DW	CW
B1		ECR-15-016224	05NOV2015	DW	CW
B2		ECR-16-017507	12DEC2016	QY	CW

M3 SCREW, RECOMMENDED
TIGHTENING TORQUE 0.5Nm
M3 螺丝, 推荐锁紧力矩0.5Nm

TYPE-1, T2010032101-000, TE LOGO
类型-1, T2010032101-000, TE LOGO

SEAL / 密封圈

NOTES:

1. TECHNICAL CHARACTERISTICS:
INSULATION MATERIAL: PC
RATED VOLTAGE: 250 V
RATED CURRENT: 10 A
INSULATION RESISTANCE: $\geq 400M\Omega$
RATED IMPULSE VOLTAGE: 4 KV
POLLUTION DEGREE: 3
FLAMMABILITY: UL94V-0
MATING CYCLES: 500 CYCLES
WIRE RANGE: 0.5-2.5 mm² (20-14 AWG)
CONTACT FINISH: SILVER PLATED
CONTACT TYPE: SCREW CONTACT

注释:

1. 技术参数:
绝缘材料: PC
额定电压: 250V
额定电流: 10A
绝缘电阻: $\geq 400M\Omega$
额定脉冲电压: 4 KV
污染等级: 3
阻燃等级: UL94V-0
插拔次数: 500 次
接线范围: 0.5-2.5 mm² (20-14 AWG)
端子表面处理: 镀银
接线类型: 螺丝连接

THIS DRAWING IS A CONTROLLED DOCUMENT.

DIMENSIONS:

mm

TOLERANCES UNLESS OTHERWISE SPECIFIED:

0 PLC	±-
1 PLC	±-
2 PLC	±-
3 PLC	±-
4 PLC	±-
ANGLES	±-

MATERIAL

FINISH

DWN 16DEC2014

DAVID WANG

CHK 16DEC2014

CHRIS WANG

APVD 16DEC2014

XU XIANG

PRODUCT SPEC

108-137045

APPLICATION SPEC

114-137045

WEIGHT

-

Customer Drawing

TE Connectivity

NAME

HA-003-M

SIZE

A3

CAGE CODE

00779

DRAWING NO

C-T2010032101000

RESTRICTED TO

-

SCALE

2:1

SHEET

1 OF 2

REV B2

1470-19 (3/13)

THIS DRAWING IS UNPUBLISHED.

RELEASED FOR PUBLICATION

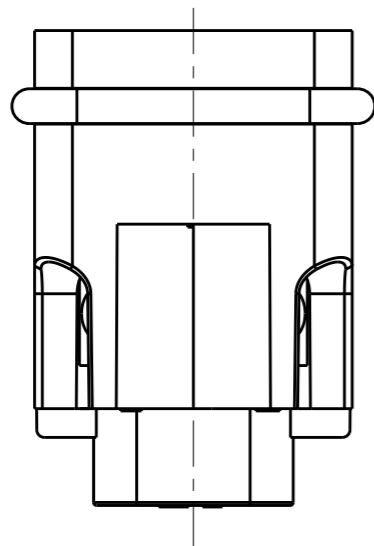
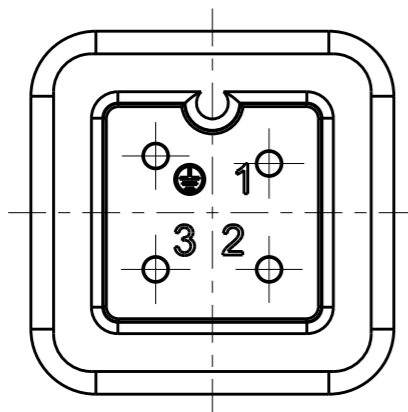
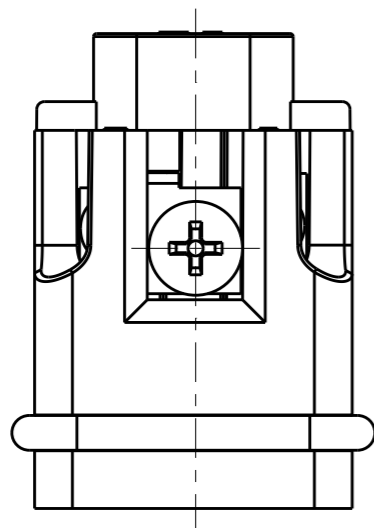
20

© COPYRIGHT 20 BY -

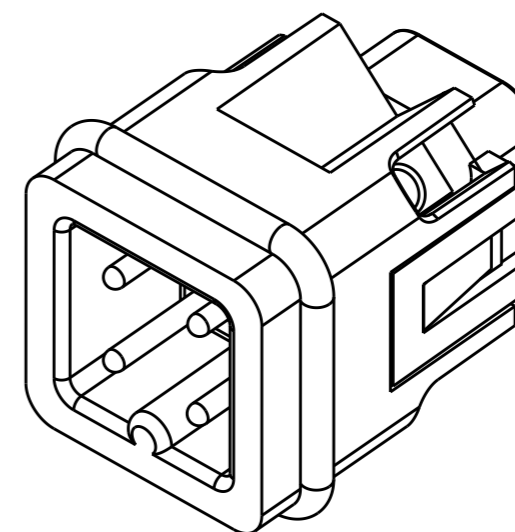
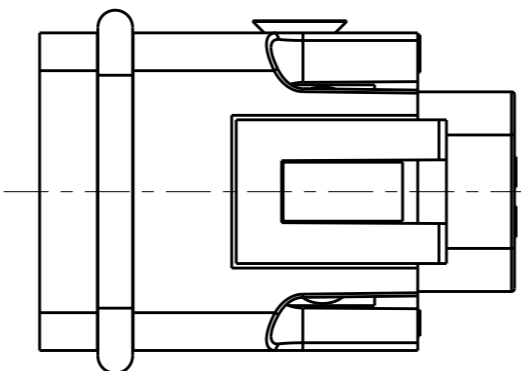
ALL RIGHTS RESERVED.

REVISIONS

P	LTR	DESCRIPTION	DATE	DWN	APVD
-		SEE SHEET 1	-	-	-



ALL DIMENSIONS ARE SAME AS TYPE 1,
EXCEPT THOSE DEFINED IN THIS TYPE.
除了在本类型中定义的尺寸外, 其它尺寸同类型 |



TYPE-2, T2010032101-001, NO LOGO
类型-2, T2010032101-001, 无 LOGO

NOTE:
SEE SHEET 1
注释:
见页 1

T2010032101-001	HA-003-M	HA-003 MALE INSERT, NO LOGO HA-003公插, 无LOGO	TYPE-2 类型-2
T2010032101-000	HA-003-M	HA-003 MALE INSERT HA-003公插	TYPE-1 类型-1
PART NUMBER 料号	PART DESCRIPTION 描述		TYPE 类型

THIS DRAWING IS A CONTROLLED DOCUMENT.		DWN 16DEC2014 DAVID WANG		
DIMENSIONS: mm		CHK 16DEC2014 CHRIS WANG		
TOLERANCES UNLESS OTHERWISE SPECIFIED:		APVD 16DEC2014 XU XIANG	NAME HA-003-M	
0 PLC ±-		PRODUCT SPEC 108-137045	SIZE CAGE CODE DRAWING NO RESTRICTED TO	
1 PLC ±-		APPLICATION SPEC 114-137045	A300779 © T2010032101000 -	
2 PLC ±-		WEIGHT -	SCALE 2:1 SHEET 2 OF 2 REV B2	
3 PLC ±-		Customer Drawing		
4 PLC ±-				
ANGLES ±-				
FINISH -				
MATERIAL -				