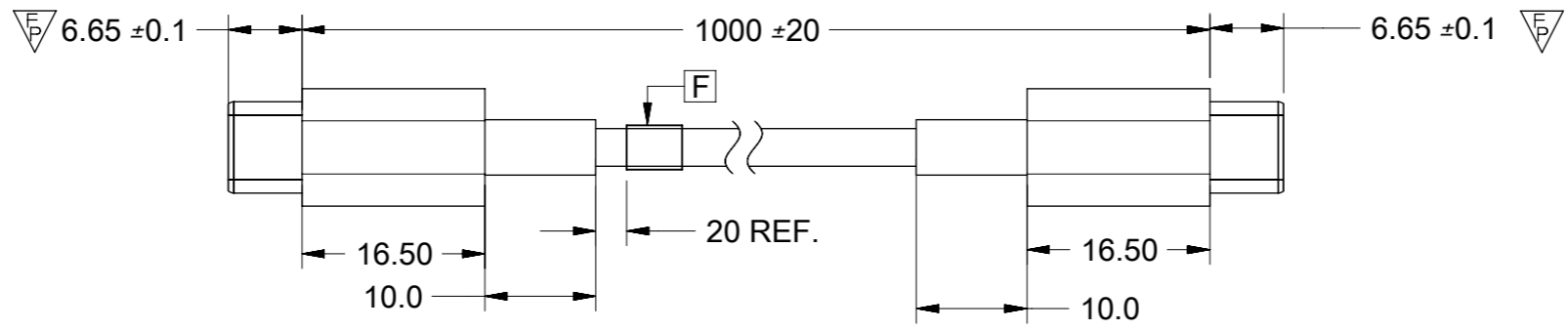
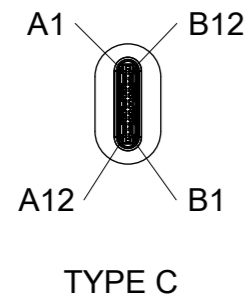
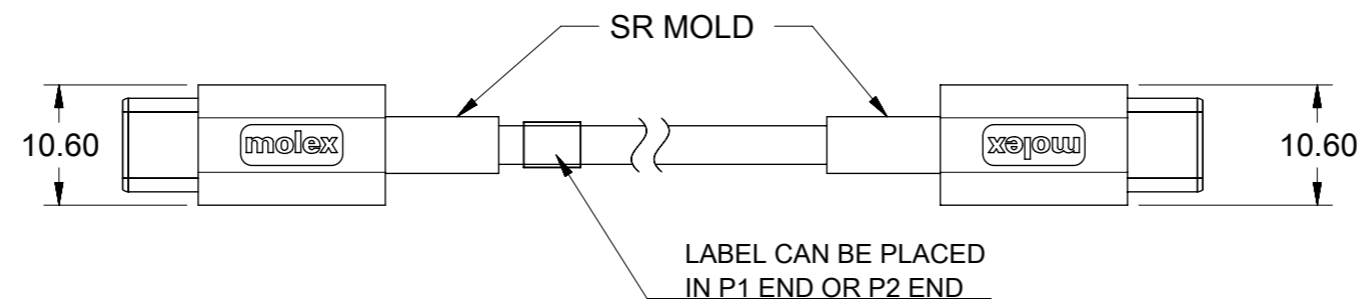
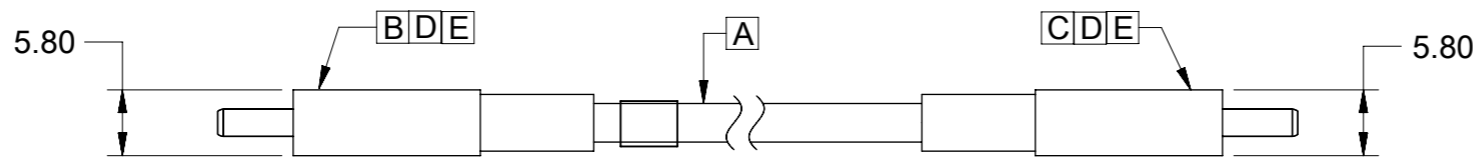
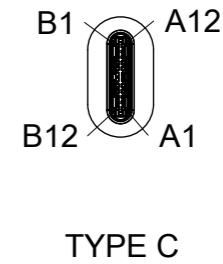


REVISIONS				
EC NO	DATE	REV	DESCRIPTION	CHANGER
NA	2017/12/13	A	INITIAL RELEASE	LUCY
CY18-5925	2018/07/25	B	CHANGE TYPE C PLUG AND RESIN	LUCY

P1



P2



F	LABEL	1
E	Right metal shell	2
D	Left metal shell	2
C	USB Type C 5A PCBA without E-Mark	1
B	USB Type C 5A PCBA with E-Mark	1
A	1Px32AWG+2Cx26AWG+2Cx32AWG,shielded,TPE,BLACK,OD3.40mm,UL21394	AR
ITEM	DESCRIPTION	QTY.

SYMBOLS THIS DRAWING CONTAINS INFORMATION THAT IS PROPRIETARY TO MOLEX ELECTRONIC TECHNOLOGIES, LLC AND SHOULD NOT BE USED WITHOUT WRITTEN PERMISSION DIMENSION UNITS: mm SCALE: 1.5:1 GENERAL TOLERANCES (UNLESS SPECIFIED): ANGULAR TOL ± 3.0° 4 PLACES ± 3 PLACES ± 2 PLACES ± 0.25 1 PLACE ± 0.5 0 PLACES ± DRAFT WHERE APPLICABLE MUST REMAIN WITHIN DIMENSIONS THIRD ANGLE PROJECTION DRAWING: A3-SIZE SERIES: 201241	CURRENT REV DESC: EC NO: 601987 DRWN: ZZXIAN 2018/07/25 CHK'D: LLI205 2018/07/26 APPR: LHUIU 2018/07/27 INITIAL REVISION: DRWN: XJGUO01 2016/09/01 APPR: FNIE 2018/01/03			
	USB 2.0 TYPE C TO C BLACK CABLE, L=1M, 5A		PRODUCT CUSTOMER DRAWING DOCUMENT NUMBER: 2012410159 DOC TYPE: PSD DOC PART: 000 REVISION: B	SHEET NUMBER: 1 OF 2

NOTE:

1. OVERMOLDING SPECIFICATION:

△ B

- 1.1 INNER MOLDING: PE RESIN
- 1.2 SR MOLDING: TPE BLACK RESIN
- 1.3 OUTER MOLDING: TPE BLACK RESIN

2. APPLICATION CONDITION

- 2.1 WORKING TEMPERATURE: -10°--- +50°
- 2.2 STORAGE TEMPERATURE: -20°--- +60°

3. MECHANICAL PERFORMACNE

3.1.BENDING TEST:200G, +/-90°, 12~14CYCLES/MINUTES, R=25.4MM, HORIZONTAL FOR 500 CYCLES AND VERTICAL FOR 500 CYCLES, NO LESS THAN 1000 times/cycles*3 CYCLES=3000 TIMES

3.2. CABLE SHOULD WITHSTAND A PULL FORCE 40N FOR ONE MINUTE WITHOUT VISIBLE TERMINATION DAMAGE.PER EIA 364-38 METHOD A

4. ELECTRICAL PERFORMACNE

- 4.1 100% OPEN AND SHORT TEST
- 4.2 HIGH FREQUENCY ELECTRICAL PERFORMANCE MEET USB TYPE C - TYPE C, USB 2.0 REQUIREMENT.
- 4.3 CURRENT RATING:5A, VOLTAGE DROP SHALL BE 375mV FOR GND AND 625mV FOR VBUS.

5. THIS PRODUCT MUST MEET EU ROHS

6.LABEL REQUIREMENT

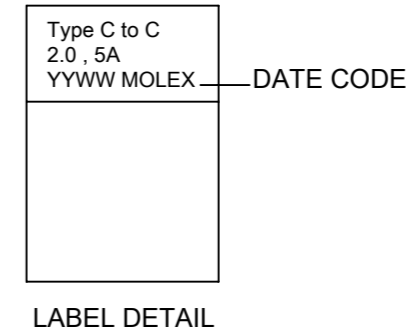
WHITE BLACKGROUND WITH BLACK TEXT

FONT: ARIAL; HEIGHT: 2mm REF;

LEFT ON HORIZONTAL

7.THIS PRODUCT NEED ESD PROTECTION

8.PRODUCT NEED INPUT E-MARKER INFORMATION



PIN ASSIGNMENTS				
Type C(P1)	SIGNAL NAME	WIRE COLOR	SIGNAL NAME	Type C(P2)
⊙A1,B1,A12,B12	GND	DRAIN	GND	⊙A1,B1,A12,B12
A4,B4,A9,B9	VBUS	VIOLET	VBUS	A4,B4,A9,B9
		VIOLET		
A5	CC	BLUE	CC	A5
B5	VCONN	BROWN	VCONN	B5
A6	Dp1	GREEN	Dp1	A6
A7	Dn1	WHITE	Dn1	A7
⊙SHELL	SHIELD	BRAID	SHIELD	⊙SHELL

E-MARKER

SYMBOLS	THIS DRAWING CONTAINS INFORMATION THAT IS PROPRIETARY TO MOLEX ELECTRONIC TECHNOLOGIES, LLC AND SHOULD NOT BE USED WITHOUT WRITTEN PERMISSION		molex		
	DIMENSION UNITS	SCALE			
	mm	1:1	PRODUCT CUSTOMER DRAWING		
	GENERAL TOLERANCES (UNLESS SPECIFIED)		EC NO: 601987	2018/07/25	DOCUMENT NUMBER
ANGULAR TOL ± 3.0°	4 PLACES ±	DRWN: ZZXIAN	2018/07/26	2012410159	PSD
3 PLACES ±	2 PLACES ± 0.25	CHK'D: LLI205	2018/07/27	000	B
2 PLACES ±	1 PLACE ± 0.5	APPR: LHUIU	2018/01/03	REVISION	
1 PLACE ±	0 PLACES ±	INITIAL REVISION:	DRWN: XJGUO01	SHEET NUMBER	
0 PLACES ±	DRAFT WHERE APPLICABLE MUST REMAIN WITHIN DIMENSIONS	THIRD ANGLE PROJECTION	APPR: FNIE	MATERIAL NUMBER	CUSTOMER
				687980008	GENERAL MARKET
				2 OF 2	