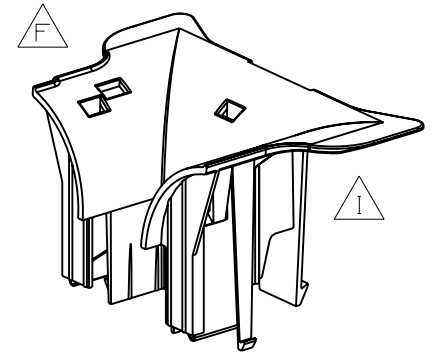
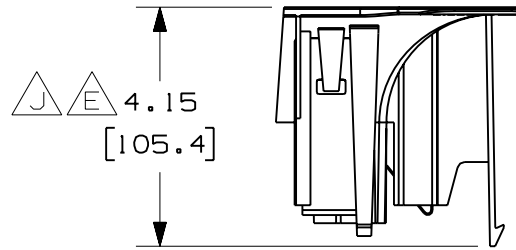
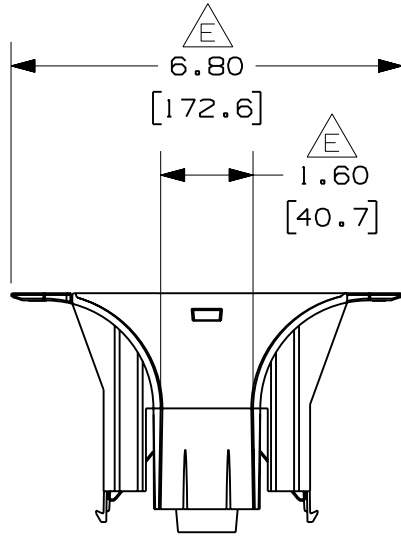
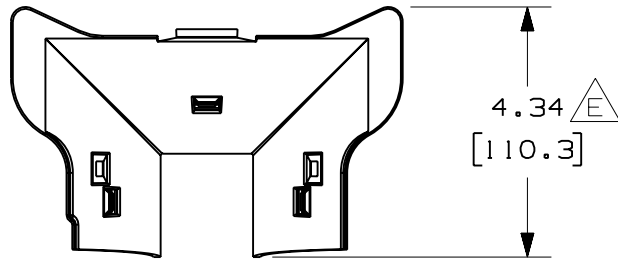


THIS COPY IS PROVIDED ON A RESTRICTED BASIS AND IS NOT TO BE USED IN ANY WAY DETRIMENTAL TO THE INTERESTS OF PANDUIT CORP.

PANDUIT PART NUMBER	WEIGHT
FRLPR42BL	0.37 LB/EACH (167g/EACH)



**NOTES:** K D C

1. SEE CURRENT CATALOG FOR ADDITIONAL PART SUFFIXES TO INDICATE PACKAGE QUANTITY.
2. THE FIBERRUNNER 4-2 LOW PROFILE REDUCER IS DESIGNED WITH A MINIMUM 2" (50.8) BEND RADIUS TO PROTECT FIBER OPTIC CABLES.
3. THE FIBERRUNNER 4-2 LOW PROFILE REDUCER ALLOWS FOR FIBER-DUCT 2x2 SOLID OR SLOTTED WALL CHANNEL OR FIBERRUNNER 2x2 HINGED OR HINGED SLOTTED CHANNEL TO BE INSTALLED INTO THE VERTICAL EXIT OF THE FIBERRUNNER 4x4 OR FIBERRUNNER 6x4 QUIKLOCK VERTICAL TEE.
4. DIMENSION IN PARENTHESES ARE IN METRIC.

ENG. REF.: D37847DH\_DC\_FRLPR42\_02.prt

CAD FILENAME/LAYERS A FRLPR42BL.pdf

-	-----	---	--	K. REVISED GENERAL NOTES	-----	--	--	
-	-----	---	--	J. REVISED DIMENSION I. ORIENTATION WAS ROTATED	-----	--	--	
2	7-6-06	DTP	RN	H. REVISED PART WEIGHT. G. REVISED DRAWING TITLE.	37847-75	RN	RN	
-	-----	---	---	F. REVISED PART GEOMETRY. E. REV'D ALL DIM LOCATIONS.	-----	--	--	
-	-----	---	---	D. REVISED GENERAL NOTES. C. REVISED PART NUMBER.	-----	--	--	
1	5-24-04	MSO	SMF	B. REVISED DRAWING TITLE. A. REVISED CAD FILENAME.	37847-75	RN	RN	
R	7-30-01	JHNU	HIW	RELEASED TO PRODUCTION	37847-75	HIW	HIW	
REV	DATE	BY	CHK	DESCRIPTION	ECN	R	CUST	SUP GMBH

<b>PANDUIT</b> CORP TINLEY PARK, ILLINOIS	
<b>FIBERRUNNER 4-2 LOW PROFILE REDUCER (FRLPR42BL)</b> CUSTOMER DRAWING	
UNLESS OTHERWISE SPECIFIED, DIMENSIONAL TOLERANCES ARE: (.X) ± (.XXX) ± (.XX) ± .03 (.8) ANGLES ±	UNLESS OTHERWISE SPECIFIED, ALL DIMENSIONS ARE GIVEN IN INCHES, THIRD ANGLE PROJECTION.
DRAWN BY: JHNU DATE: 7-30-01 CHK'D: HIW	MAT'L: ABS AND STEEL
SCALE: NONE	DRAWING NO.: 37847-75 DWG SIZE: A